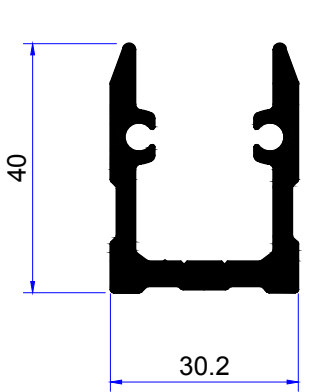
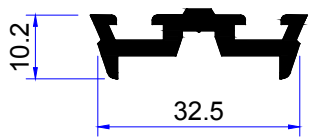


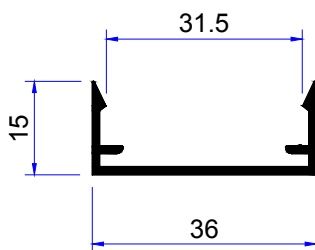
GE: 27550
Weight :3.452 kg/m



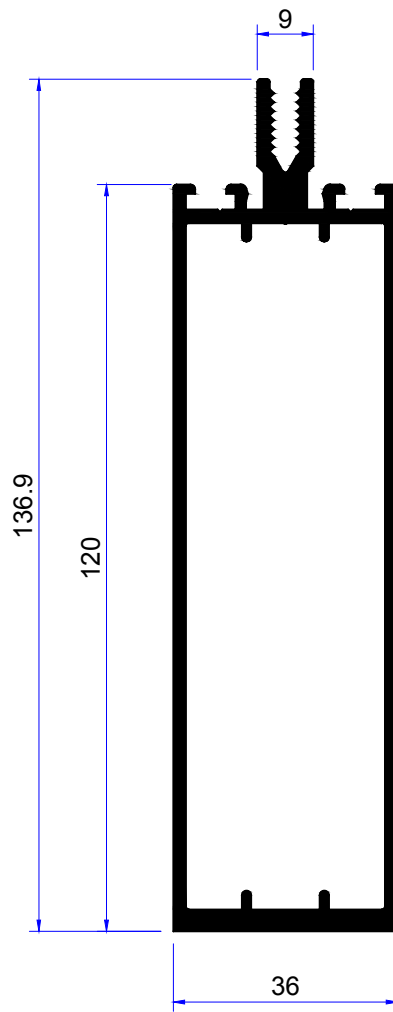
GE: 27551
Weight :1.084 kg/m



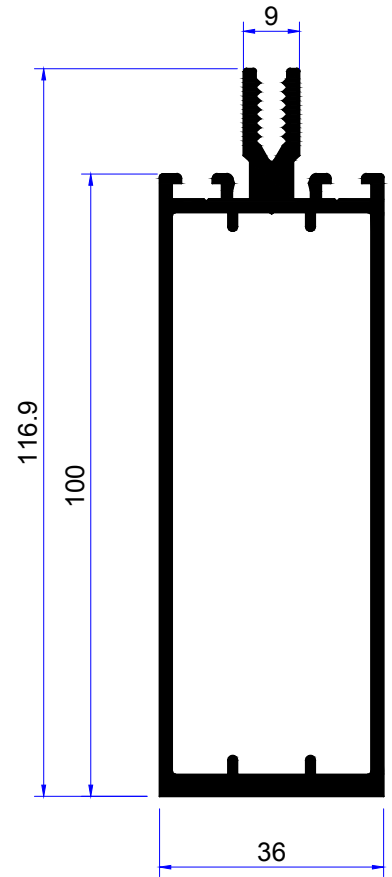
GE: 27553
Weight :0.395 kg/m



GE: 27552
Weight :0.242 kg/m



GE: 29725
Weight : 2.205 kg/m



GE: 29724
Weight :1.989 kg/m

