

# Gulf Extrusions

Magazine

March 2024  
Issue 21

**Gulf Extrusions  
Delights its  
Customers with  
Grand Iftar Banquet.**

**Gulfex celebrates women's  
remarkable contributions  
on International Women's  
Day.**

**Dibba Stadium and Cultural Club: A Landmark  
Project Showcasing Gulf Extrusions' Aluminum  
Innovation and Expertise.**

GULF EXTRUSIONS CO. LLC | A SUBSIDIARY OF SAIF AL GHURAIR GROUP LLC.



GULF EXTRUSIONS CO. LLC, PO BOX 5598, DUBAI, UNITED ARAB EMIRATES  
TEL: 00971 4 884 6146 FAX: 00971 4 884 6830 WWW.GULFEX.COM

# Table of Contents

INSIGHT	3	Editorial
PROJECT	4	Dibba Stadium and Cultural Club: A Landmark Project Showcasing Gulf Extrusions' Aluminum Innovation and Expertise
PRODUCT	6	What is a Curtain Wall?
TRAINING AND DEVELOPMENT	8	IMS Internal Auditor Training Program
EMPOWERING FEMALE EMPLOYEES' REMARKABLE CONTRIBUTIONS	9	Gulfex Acknowledges Women's Contributions on International Women's Day
CELEBRATING RAMADAN WITH CUSTOMERS	10	Gulf Extrusions Delights its Customers with Grand Iftar Banquet: Celebrating the holy month of Ramadan Together
CORPORATE RAMADAN GATHERING: IFTAR FOR TEAM	11	Embracing the Spirit of the Holy Month: Gulf Extrusions Hosts Ramadan Iftar for Employees and Management



## Gulf Extrusions Magazine

March 2024

Issue 21

# Editorial

Dear Readers,

Welcome to the March issue of Gulf Extrusions Magazine! As we bid farewell to winter, we embrace the arrival of spring filled with significant events and noteworthy achievements that highlight Gulf Extrusions' commitment to excellence and innovation.

In the heart of Dibba, Gulf Extrusions played a pivotal role in the iconic Dibba Stadium and Cultural Club, showcasing our expertise in aluminum innovation.

Within this edition, Gulf Extrusions introduces "Curtain Wall", a cutting-edge advancement in building solutions that blend stunning aesthetics with unparalleled functionality to revolutionize architectural integration.

Ensuring the highest standards of quality and compliance is a priority at Gulf Extrusions. In line with this commitment, we conducted an intensive IMS Internal Auditors Training program.

In March, we celebrated the remarkable contributions of

female employees at Gulf Extrusions during International Women's Day, acknowledging and appreciating their achievements across various departments.

As the Holy Month of Ramadan Approached, Gulf Extrusions hosted a grand Iftar banquet, uniting customers to embrace the spirit of Ramadan. The evening was a memorable occasion, celebrating the strong bonds we have built over the years.

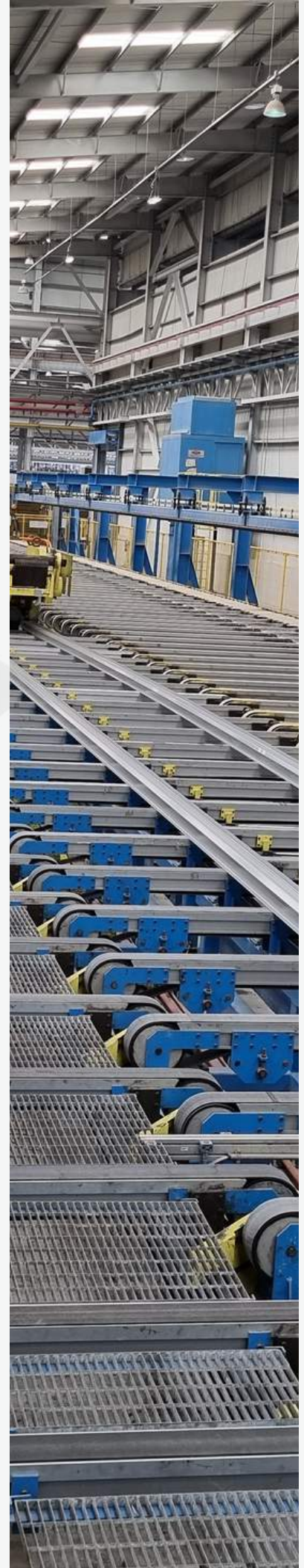
We also celebrated the month of Ramadan by hosting our annual Iftar event for our employees and executive management, fostering togetherness as we broke our fasts together.

Gulf Extrusions continues to push boundaries, delivering exceptional results and setting new standards in the aluminum industry.

We hope this issue of Gulf Extrusions Magazine provides insightful understanding of our company's contributions and commitment to a better future.

Enjoy reading!

For suggestions and contributions, please write to  
[hassan.sukkariah@gulfex.com](mailto:hassan.sukkariah@gulfex.com)



# Dibba Stadium and Cultural Club: A Landmark Project Showcasing Gulf Extrusions' Aluminum Innovation and Expertise



## **Dibba Stadium and Cultural Club**

Gulf Extrusions recently completed the prestigious Dibba Stadium and Cultural Club, a breathtaking showcase of architectural excellence and the unrivalled aluminum expertise of Gulf Extrusions.

**Project Name:** Construction of Dibba Stadium and Cultural Club

**Client:** Dibba Sports & Cultural Club

**Consultant:** EHAF Consulting Engineers

**Location:** Dibba Al Fujairah

**Strategic Partner:** Fugseng Construction LLC.

**Extrusions Supplied By:** Gulf Extrusions Co LLC

**Product Name:** Big curtain wall 50\*150, TB 600 and Montana 120 series.

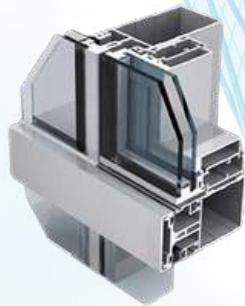


By leveraging Gulf Extrusions' expertise and high-quality extrusion products, the Big curtain wall 50\*150, TB 600 and Montana 120 series at Dibba Stadium and Cultural Club sets a new standard in innovative design and showcases the integration of aluminium extrusions in large-scale architectural ventures.

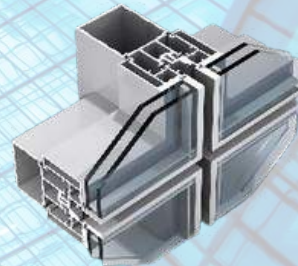
# What is a Curtain Wall?

Building envelope, reflecting the architectural beauty of the building. Curtain wall façade carries no structural load beyond its own dead load weight, they are light in weight with lower structural requirements.

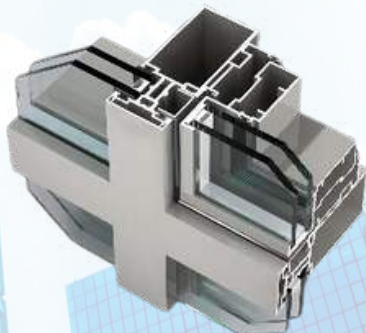
## Types of Curtains Walls:



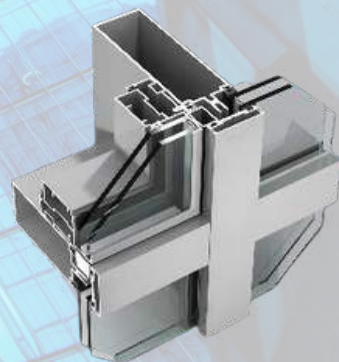
VORTEX 61.5MM



VORTEX 70MM



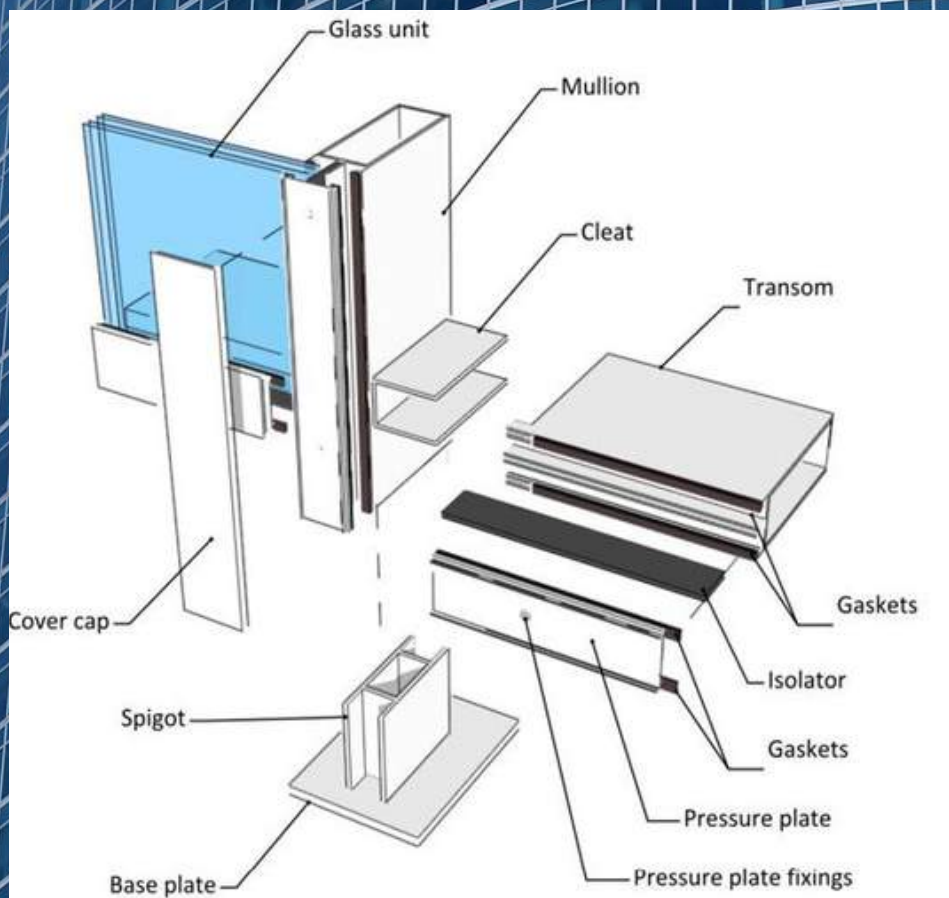
CURTAIN WALL 50MM



CURTAIN WALL 60MM

## Function of Curtain Walls:

- Prevents water penetration
- Eliminates air impermeability
- Depending on the glass specifications, it improves acoustic insulation
- Solar performance is controlled by using thermally insulated aluminium and higher glass specifications.



For inquiries and orders, we invite you to connect with us at [sales@gulfex.com](mailto:sales@gulfex.com).

## IMS Internal Auditor Training Program:

### Strengthening Organizational Competency and Compliance through Integrated Management System Audits

**In alignment with the company's commitment to excellence, Gulf Extrusions organized IMS Internal Auditor trainings in two batches for 25 employees from 24th to 26th January and 14th to 16th February.**

“An Integrated Management System (IMS) merges the standards and requirements of Quality, Environment, and Health & Safety into a unified system for enhanced efficiency and effectiveness.”



Auditing an Integrated Management System (IMS) can be approached through individual processes for each standard or, for increased efficiency and cost-effectiveness, a consolidated process encompassing all standards.

The IMS (ISO 9001/14001/45001) Internal Auditor training program equips participants with comprehensive knowledge and understanding of ISO 9001:2015, ISO 14001:2015, and ISO 45001:2018 standards, along with their respective requirements.

The course covers fundamental requirements for Quality, Health, Safety & Environment,

comprehension of ISO 9001:2015, ISO 14001:2015 & ISO 45001:2018 standards, principles of QMS and workplace HSE disciplines, risk assessment, effective internal auditing techniques, and system enhancement.

Properly trained internal auditors provide numerous benefits to organizational growth and competency by enhancing their skills and knowledge in risk assessment, audit planning, and compiling information for comprehensive auditing reports.



## Empowered and Inspiring: Gulf Extrusions Acknowledges Women's Contributions on International Women's Day

**Gulf Extrusions has an incredible team of women who consistently excel across diverse business departments and propel the company to new heights.**



## Gulf Extrusions Delights its Customers with Grand Iftar Banquet: Celebrating the holy month of Ramadan Together



**In celebration of the holy month of Ramadan, Gulf Extrusions held an Iftar banquet for its customers at Jumeirah Beach Hotel on Wednesday 27th March, as part of the company's annual ceremonies which became an important part of its Ramadan's calendar.**

This year's outdoor Ramadan iftar banquet brought together approximately 160 individuals and provided a wonderful opportunity to connect with our valued customers and foster stronger relationships within our community.

We at Gulf Extrusions would like to express our heartfelt thanks to all our customers who attended the Ramadan Iftar event 2024.

## Embracing the Spirit of the Holy Month: Gulf Extrusions Hosts Ramadan Iftar for Employees and Management



**With the goal of gathering employees and celebrating the holy month of Ramadan, Gulf Extrusions held its annual Iftar for employees and executive management at Habtoor Palace Dubai, LXR Hotels and Resorts on Saturday 30th March.**

This year's glamorous Ramadan-themed iftar brought together under one roof approximately 160 employees and managers from both Gulfex Dubai and Abu Dhabi.



Following the Iftar, Gulf Extrusions CEO Mr. Omar Shegem expressed his thanks to all employees and departments' managers for attending the event and added that it was a true celebration of brotherhood and unity reflecting the core of the holy month of Ramadan. Mr. Omar highlighted the collective efforts of employees for the special contributions they've made in their respective areas and departments.



The Iftar is one of the most popular events on the Gulf Extrusions calendar and is always well attended and greatly enjoyed by all. The event served as a great team engagement initiative in many folds and set the tone for many great retreats ahead.

Gulf Extrusions thanks all its employees for their presence at the event and for making another successful year.

# Gulf Extrusions

Magazine

March 2024  
Issue 21



GULF EXTRUSIONS CO. LLC | A SUBSIDIARY OF SAIF AL GHURAIR GROUP LLC



GULF EXTRUSIONS CO. LLC, PO BOX 5598, DUBAI, UNITED ARAB EMIRATES  
TEL: 00971 4 884 6146 FAX: 00971 4 884 6830 WWW.GULFEX.COM