

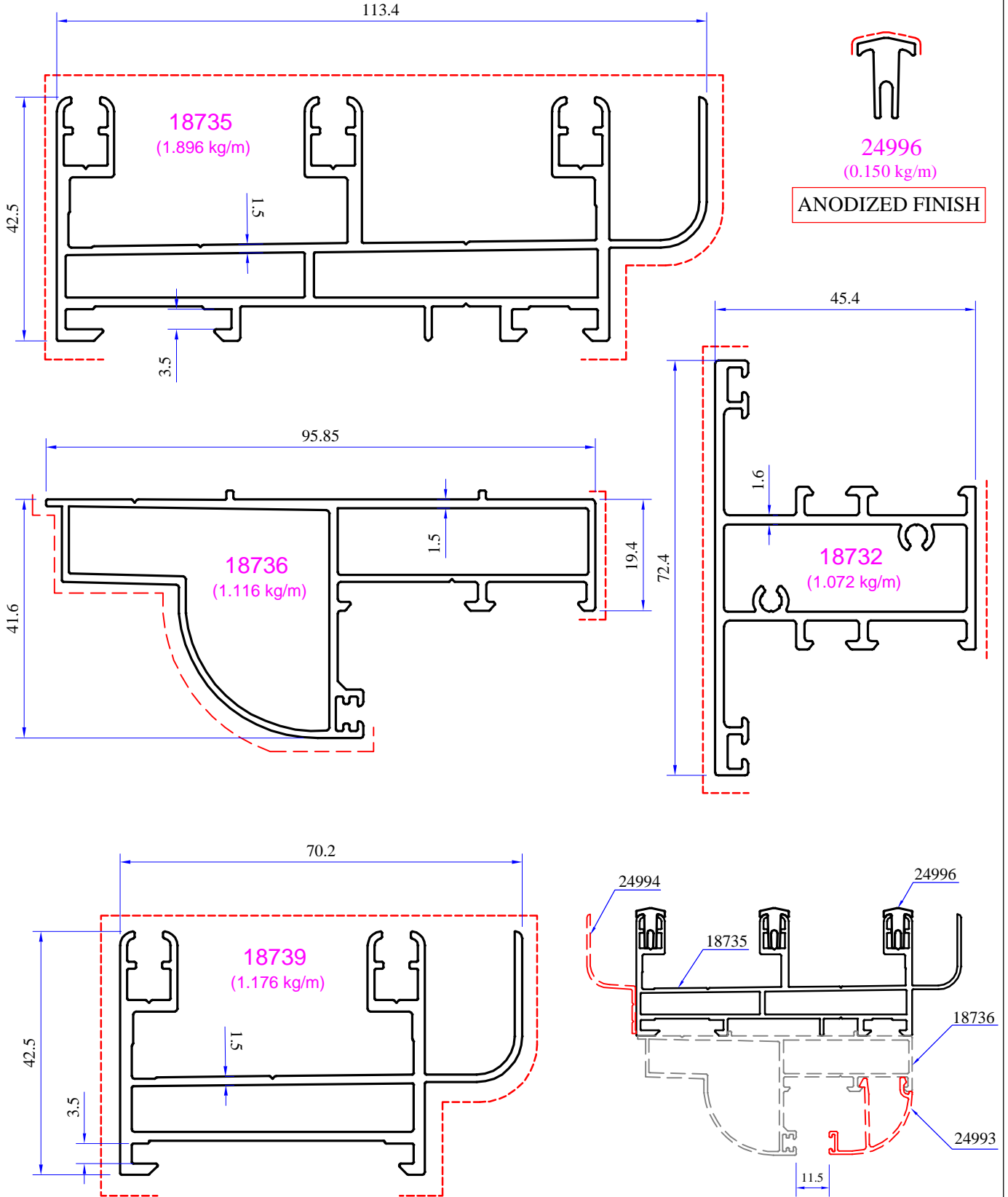


P.O.Box-5598, DUBAI- United Arab Emirates
Tel +9714 8846146 Fax +9714 8846830
Email:mail@gulfex.com Web:www.gulfex.com

PROFILES

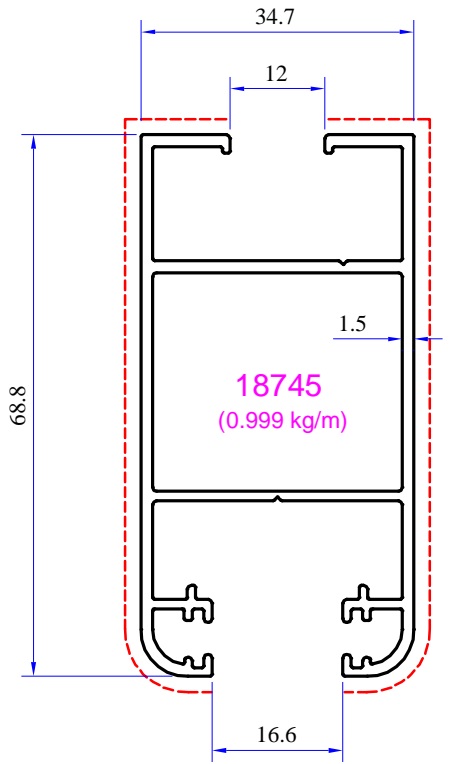
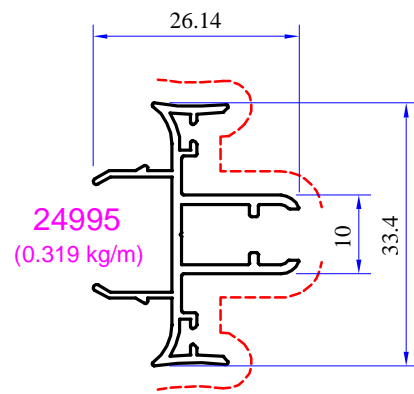
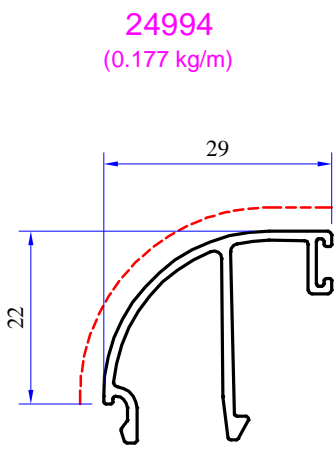
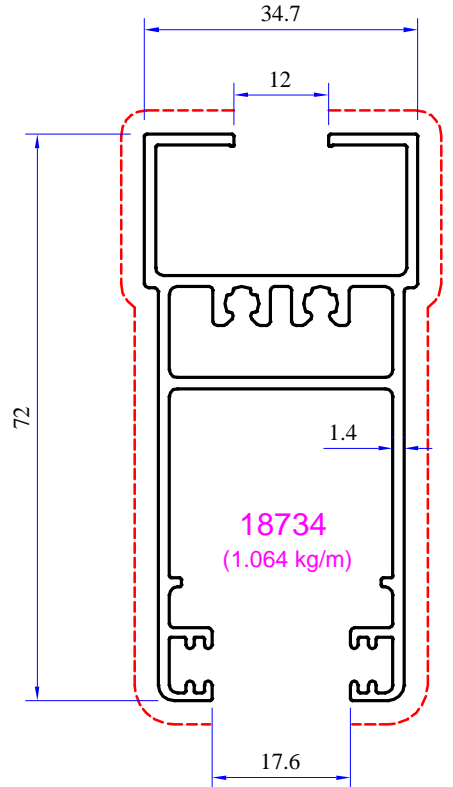
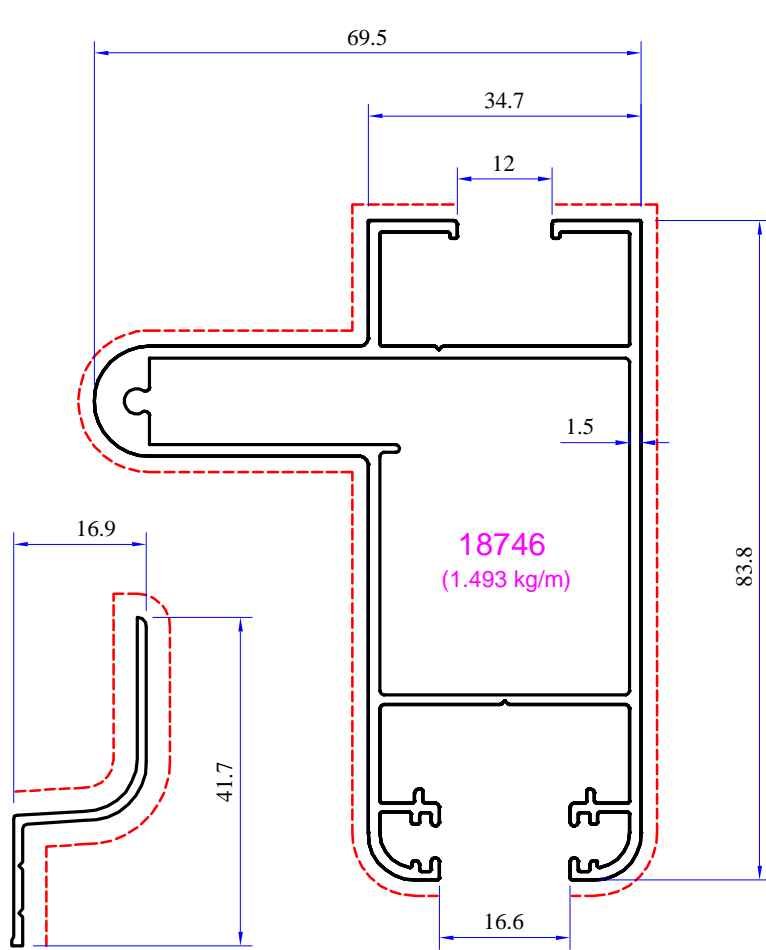
PROFILES

PROFILES

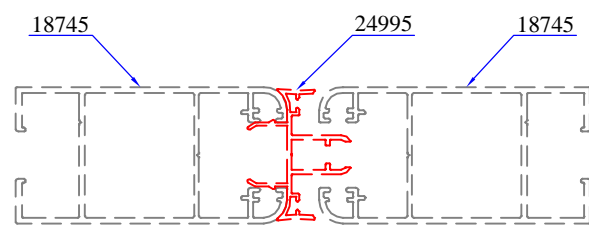


All dimensions in mm
----- Visible area

PROFILES

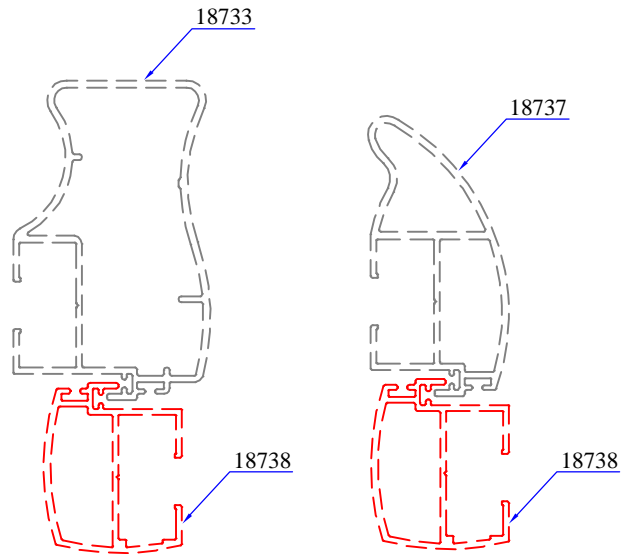
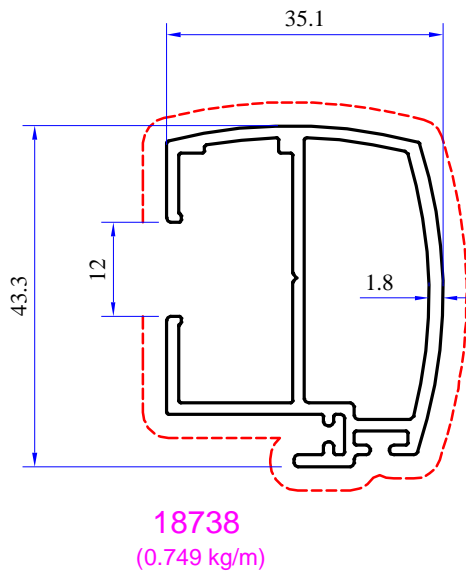
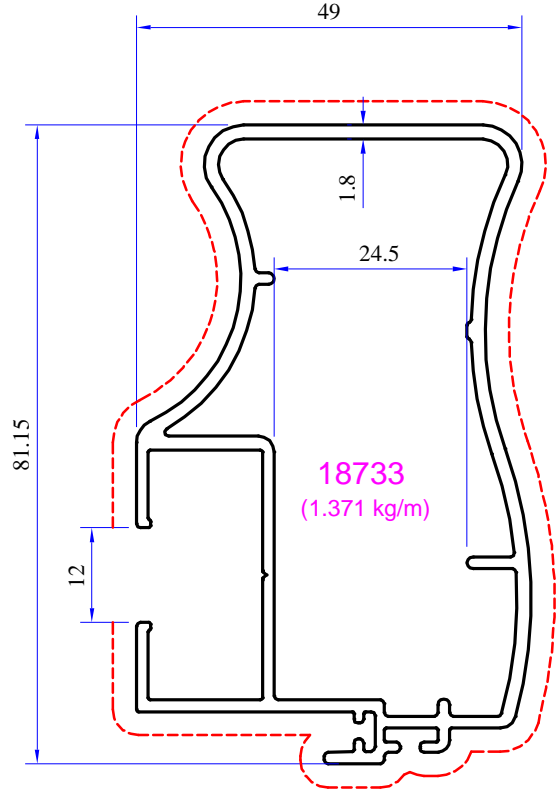
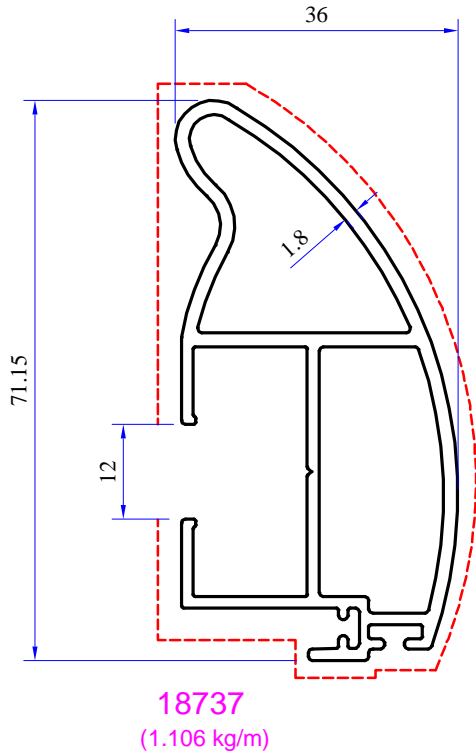


24993
(0.284 kg/m)



All dimensions in mm
----- Visible area

PROFILES



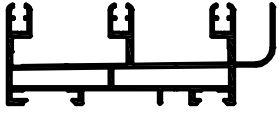
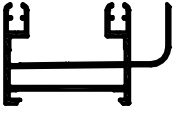
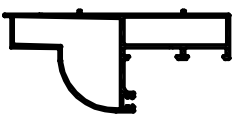
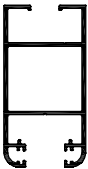
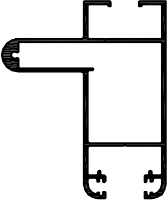

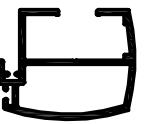


P.O.Box-5598, DUBAI- United Arab Emirates
Tel +9714 8846146 Fax +9714 8846830
Email:mail@gulfex.com Web:www.gulfex.com

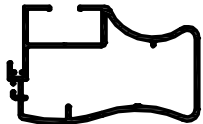

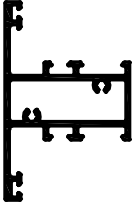

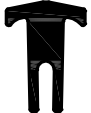


PROFILES

PROFILE LIST

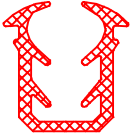






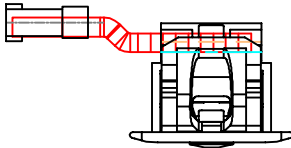
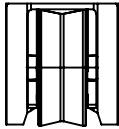
PROFILES

Profile Reference	Profile Section	Page	Weight KG/M	IX cm ⁴	IY cm ⁴	WX cm ³	WY cm ³
18735		XXXX	1.896	9.328	88.192	3.789	14.677
18739		XXXX	1.176	5.801	23.571	2.488	6.017
18736		XXXX	1.116	6.732	29.362	4.573	5.922
18745		XXXX	0.999	17.542	7.351	5.062	4.235
18746		XXXX	1.493	34.567	27.037	7.407	6.453
18734		XXXX	1.064	17.448	6.448	4.412	3.716
18738		XXXX	0.749	5.999	3.447	2.188	1.794

PROFILES

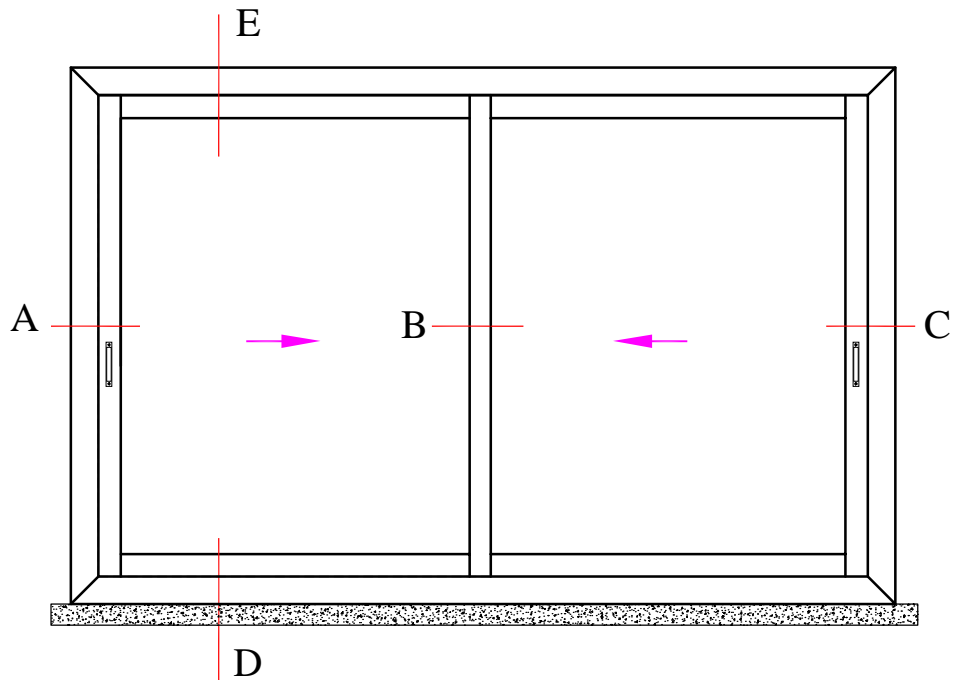
Profile Reference	Profile Section	Page	Weight KG/M	IX cm ⁴	IY cm ⁴	WX cm ³	WY cm ³
18733		XXXX	1.371	13.870	36.511	5.261	8.726
18737		XXXX	1.106	18.144	5.261	4.781	2.869
18732		XXXX	1.072	10.644	10.240	2.940	3.630
24995		XXXX	0.319	----	----	----	----
24996		XXXX	0.150	----	----	----	----
24994		XXXX	0.177	----	----	----	----
24993		XXXX	0.284	----	----	----	----

ACCESSORIES

Gasket / Accessories Reference	Section	Description	Unit
----		EPDM Rubber U- Type to be Used with Sash to hold 6mm Glass	Linear Meter
----		EPDM Rubber to be Used with mid Sash for 4 vents	Linear Meter
----		EPDM Rubber for Interlock profile	Linear Meter
----		EPDM Rubber for Interlock profile	Linear Meter
----		EPDM Rubber to be used in the fixed outer frame / Tee	Linear Meter
----		EPDM Rubber to be used in the glazing bead	Linear Meter
----		Brush 5.5mm to be used in the Sash	Linear Meter
----		Inside Handle with Nib and Counter plate	Piece
----		Roller to be used at the Bottom of the sash profile 18734	Piece

ASSEMBLY DRAWING

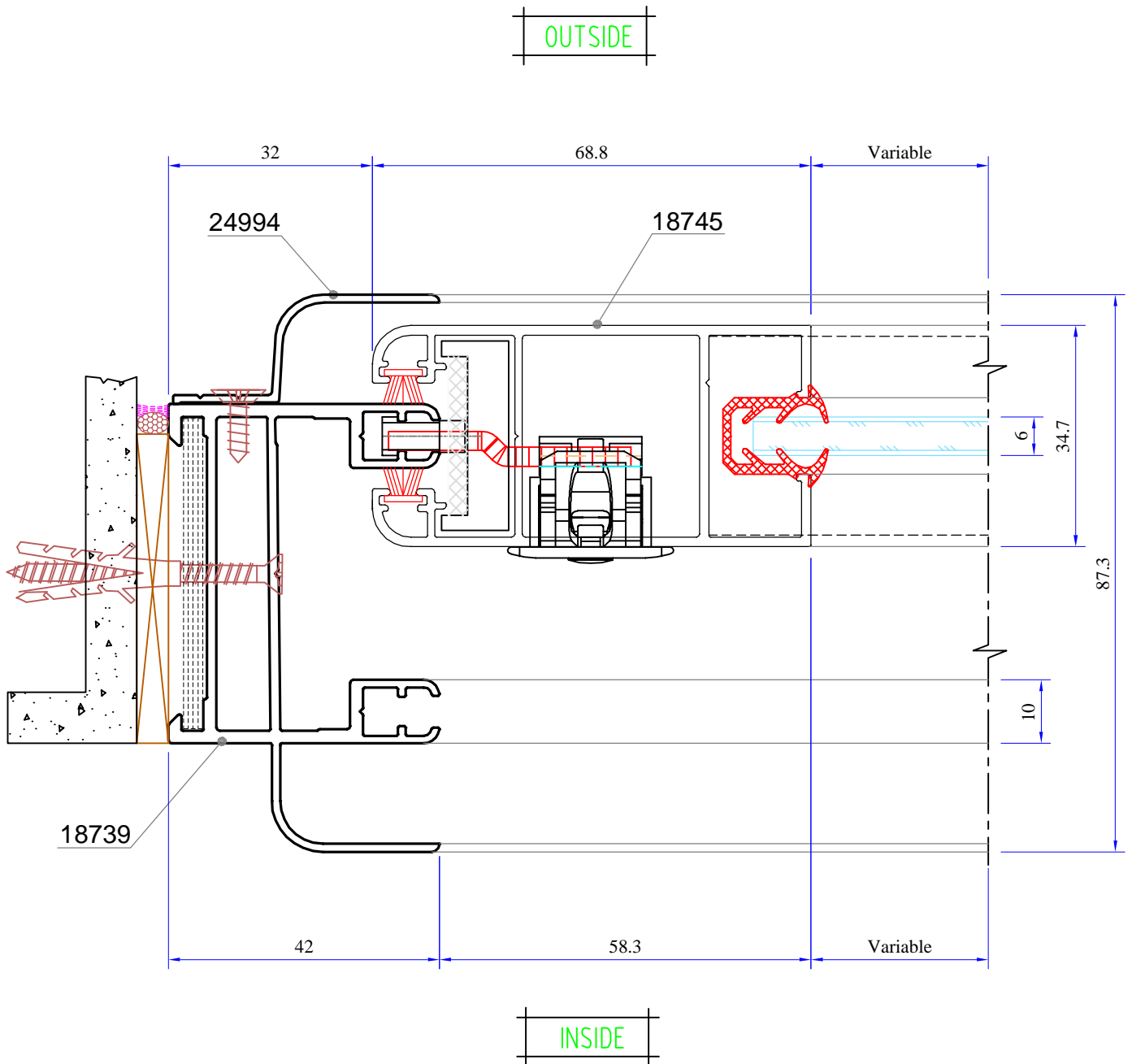
2-TRACK / 2-SASH



All dimension in cross sections are shown in mm
Profiles are not necessarily shown to scale

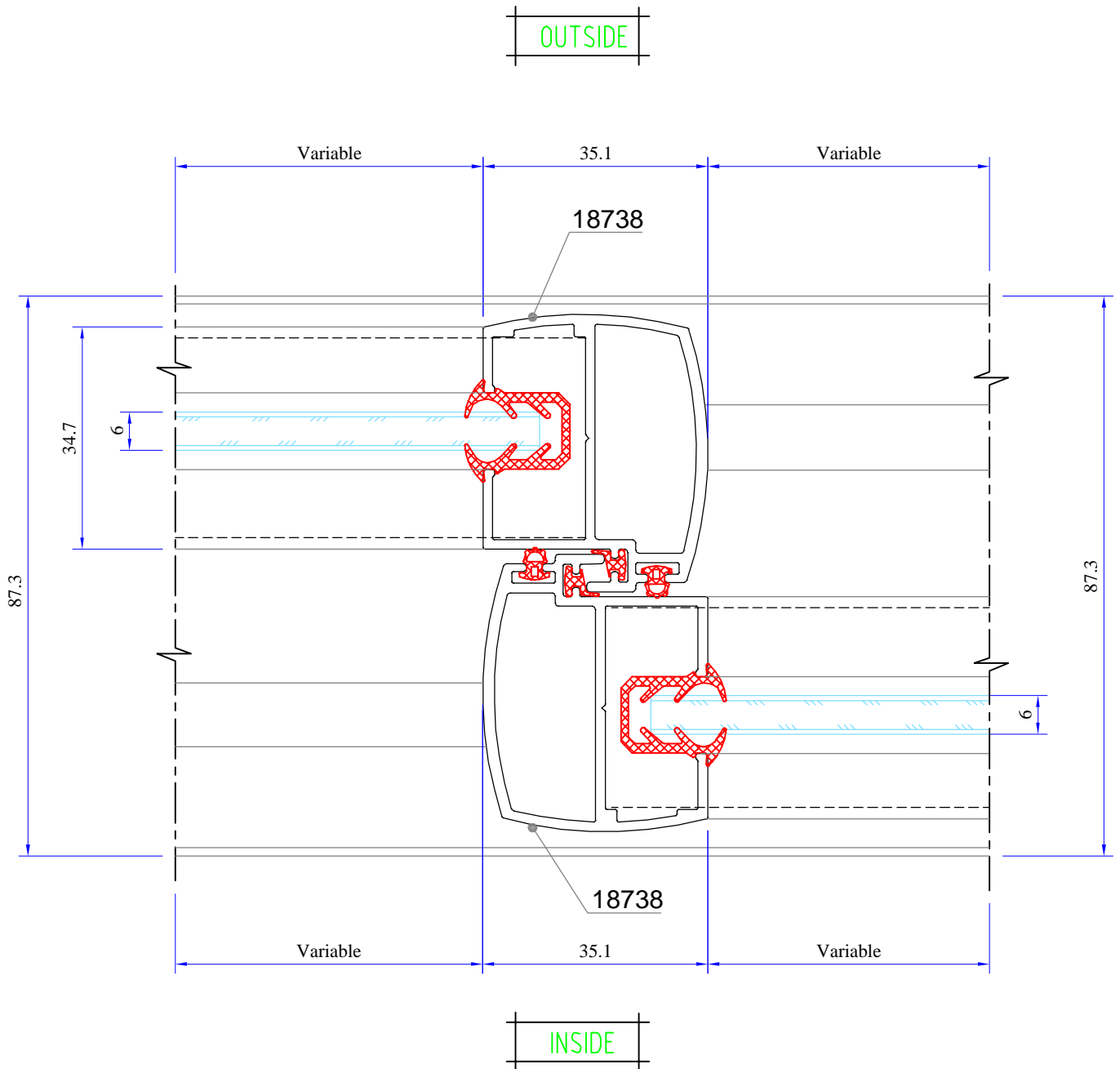
ASSEMBLY DRAWING

DETAIL - A



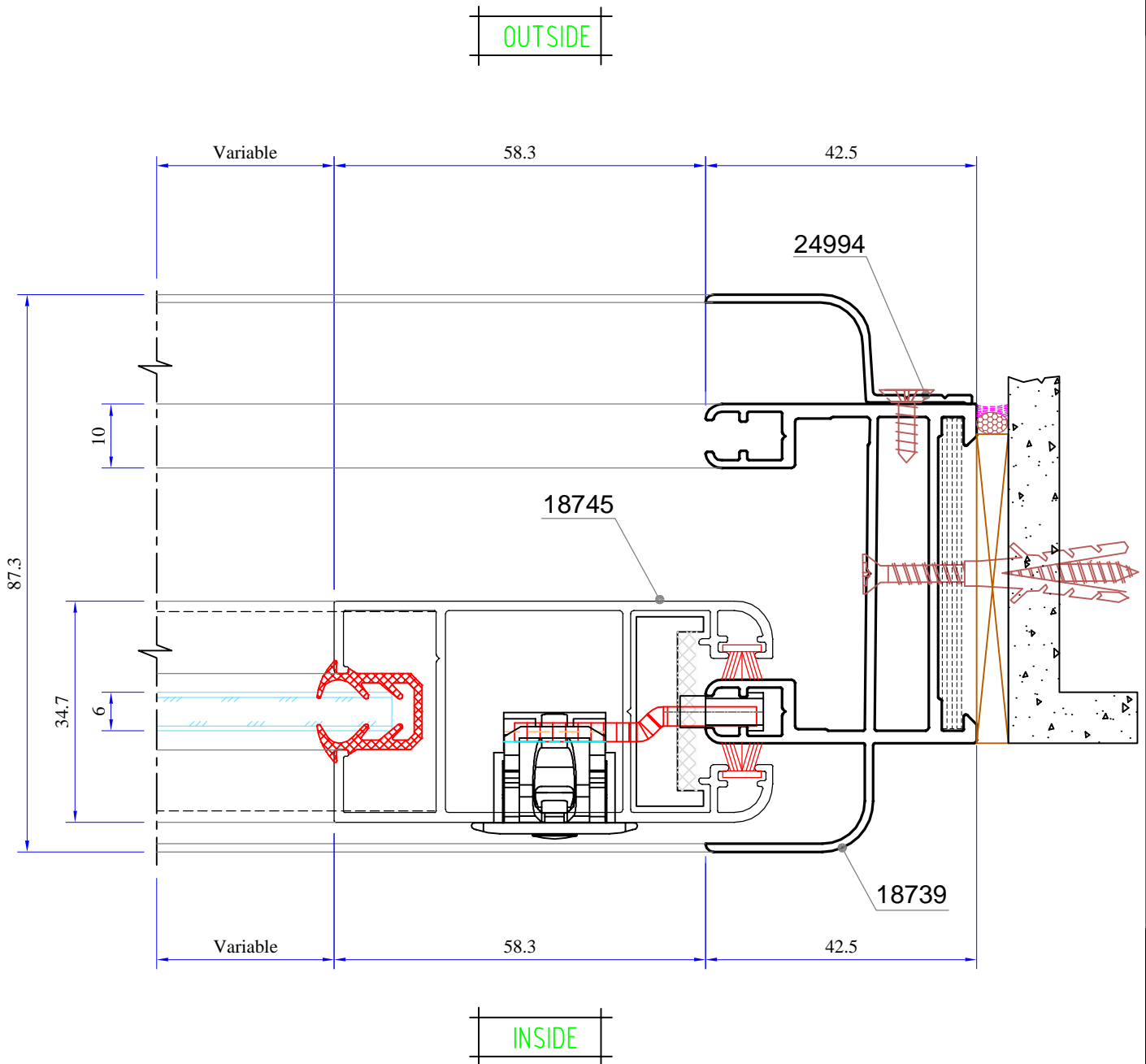
ASSEMBLY DRAWING

DETAIL - B



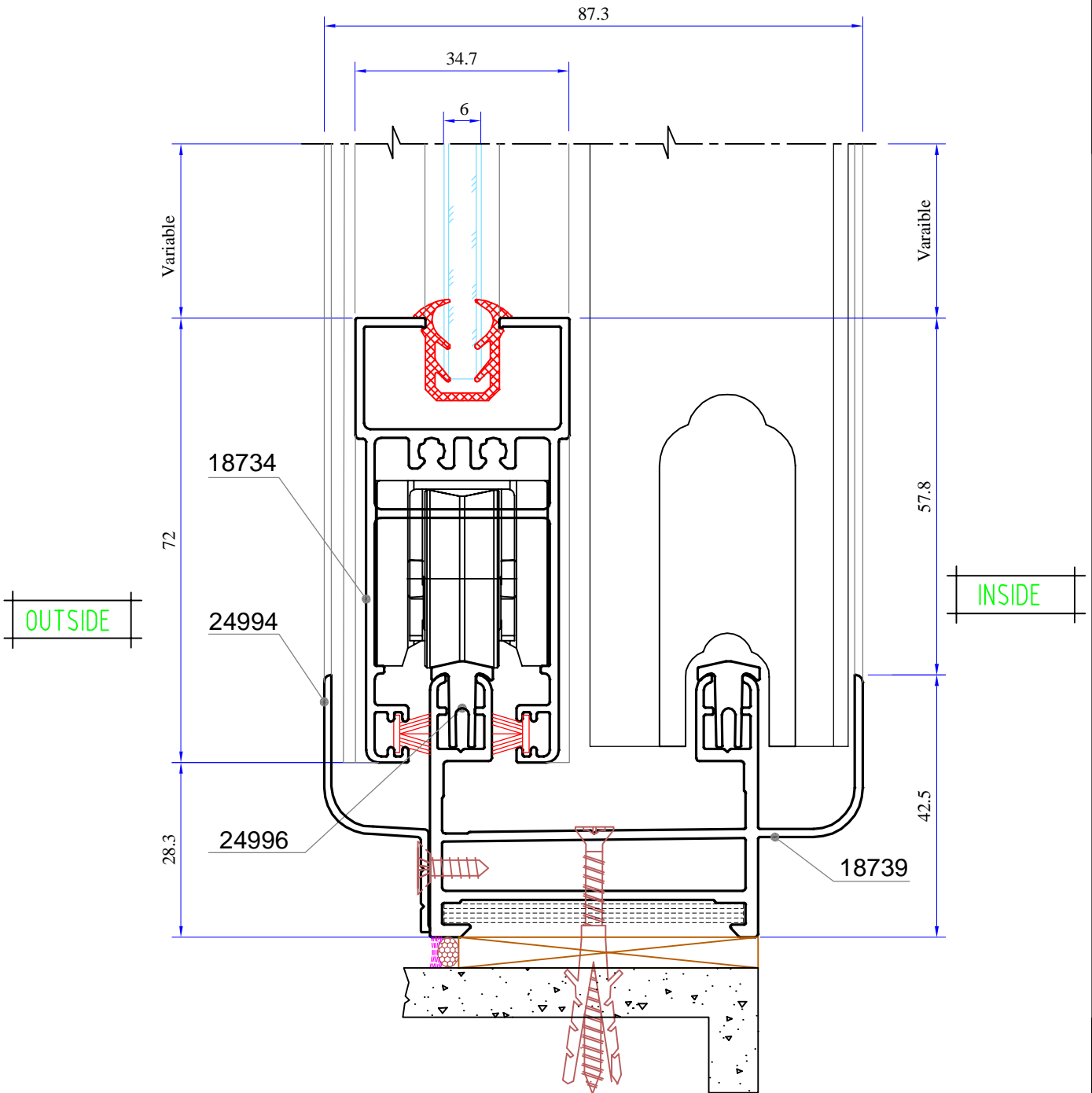
ASSEMBLY DRAWING

DETAIL - C



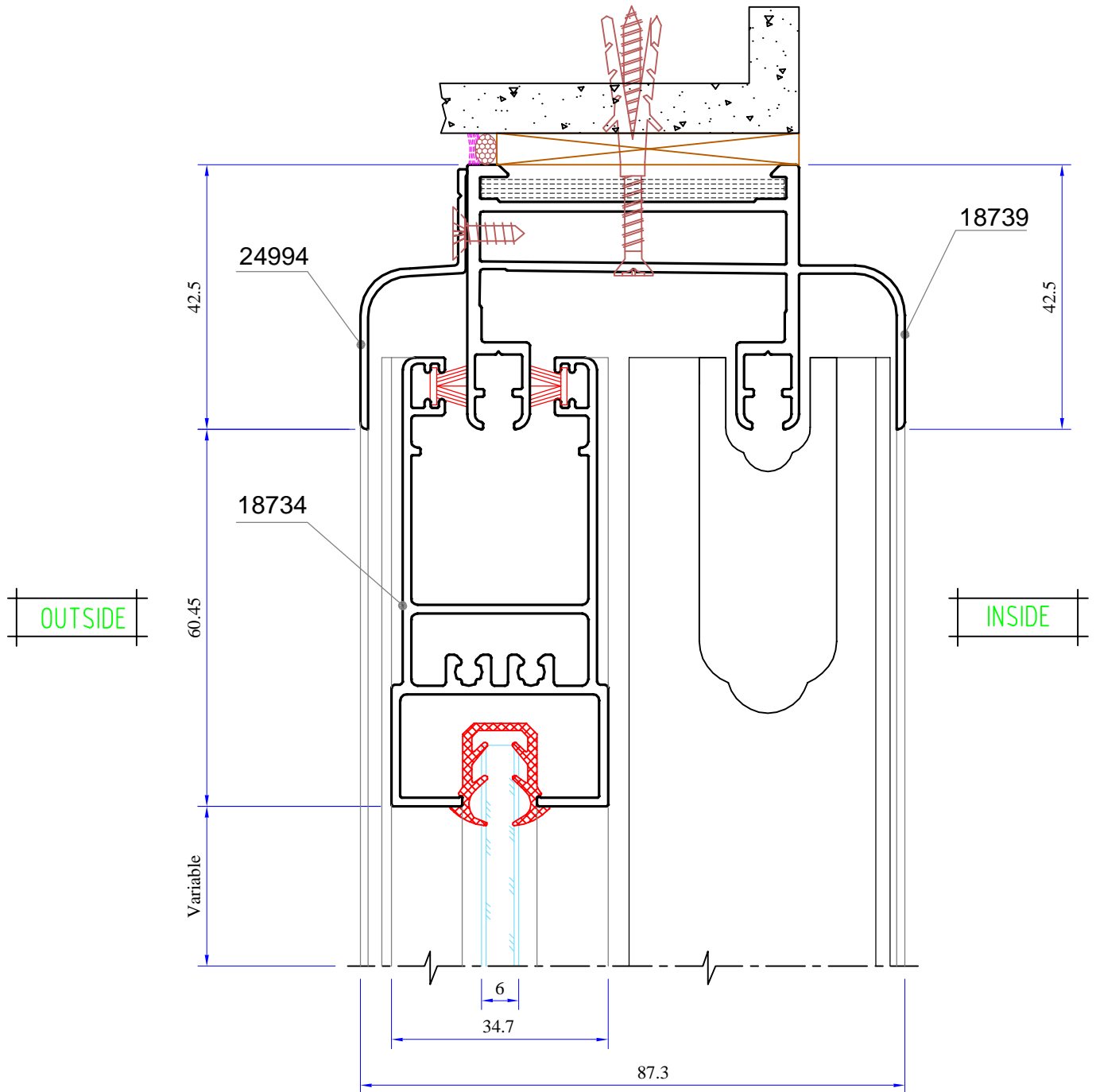
ASSEMBLY DRAWING

DETAIL - D



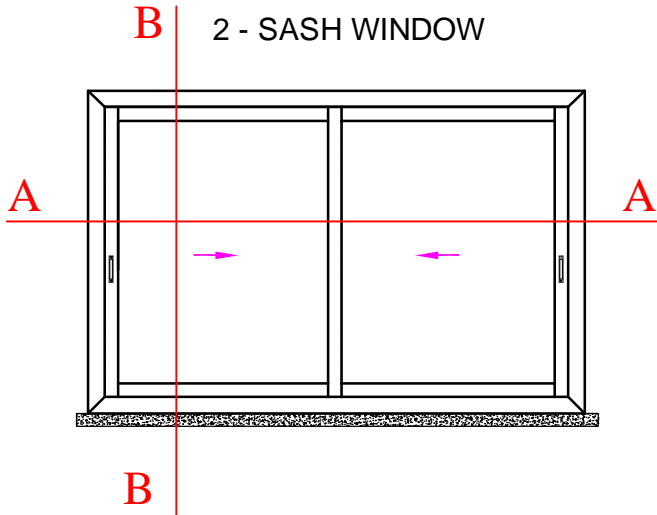
ASSEMBLY DRAWING

DETAIL -E

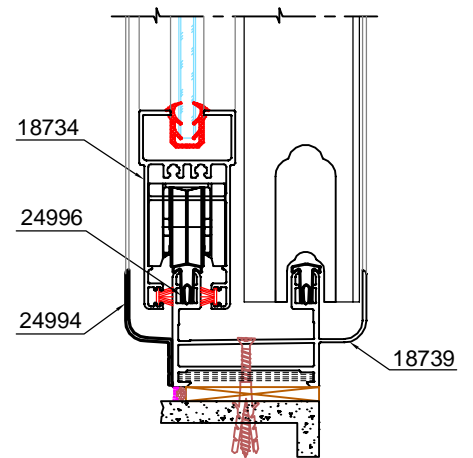
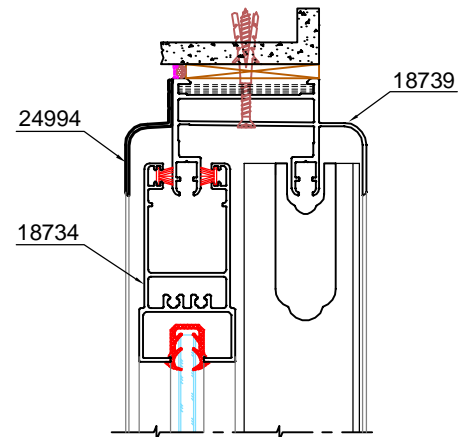


ASSEMBLY DRAWING

Single Glass unit with
Thickness 6 mm



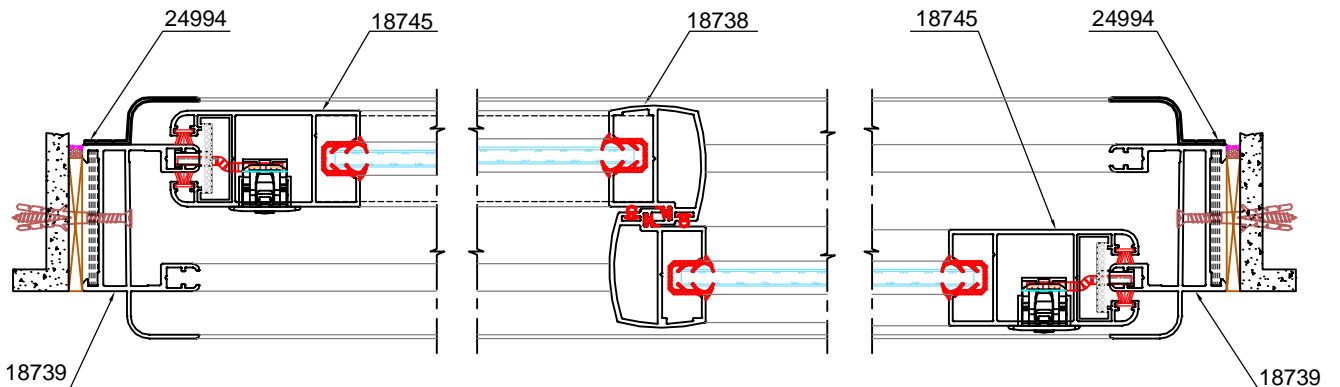
DETAIL : B-B



PROFILES (Single Glazed)

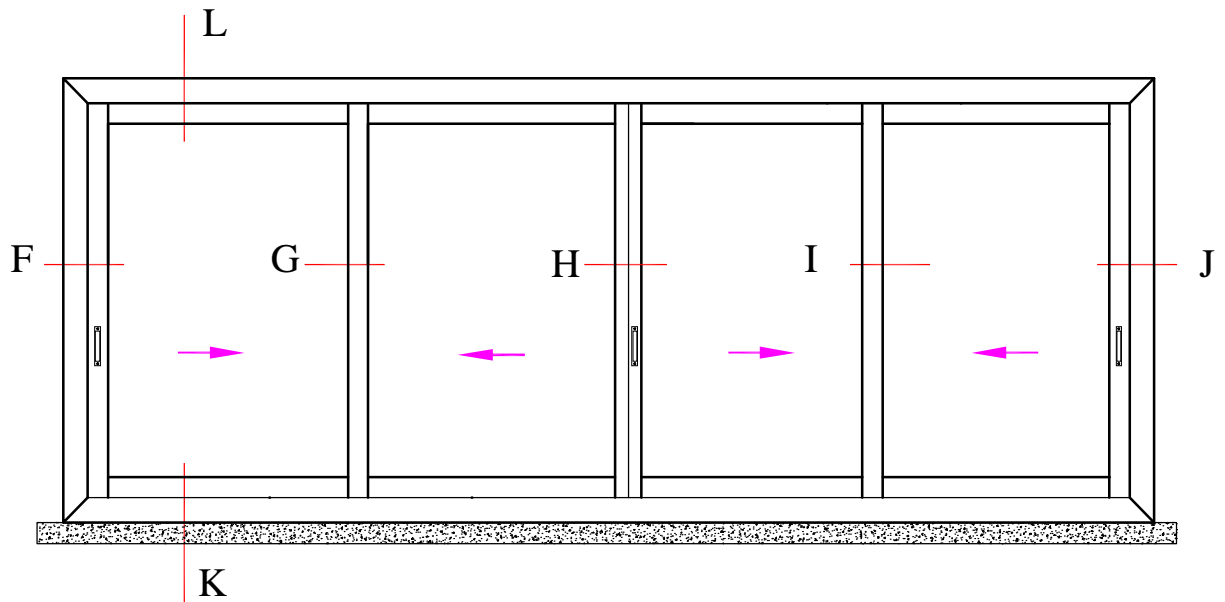
Description	Shape	Section No.
Frame		18739
Bottom/Top Sash		18734
Side Sash		18745
Interlock		18738
Rail section		24996
Weather Shad		24994

DETAIL : A-A



ASSEMBLY DRAWING

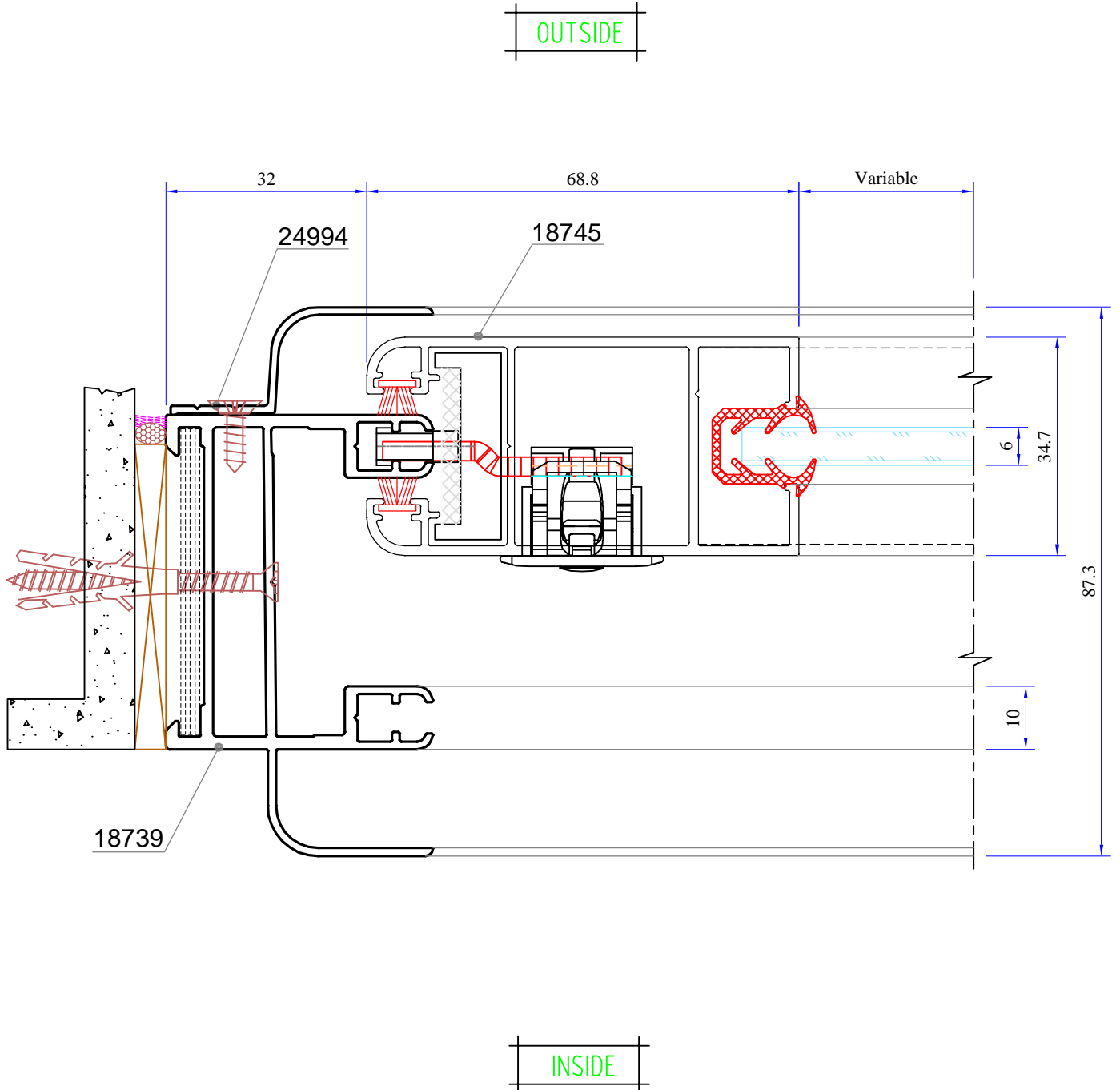
2-TRACK / 4-SASH



All dimension in cross sections are shown in mm
Profiles are not necessarily shown to scale

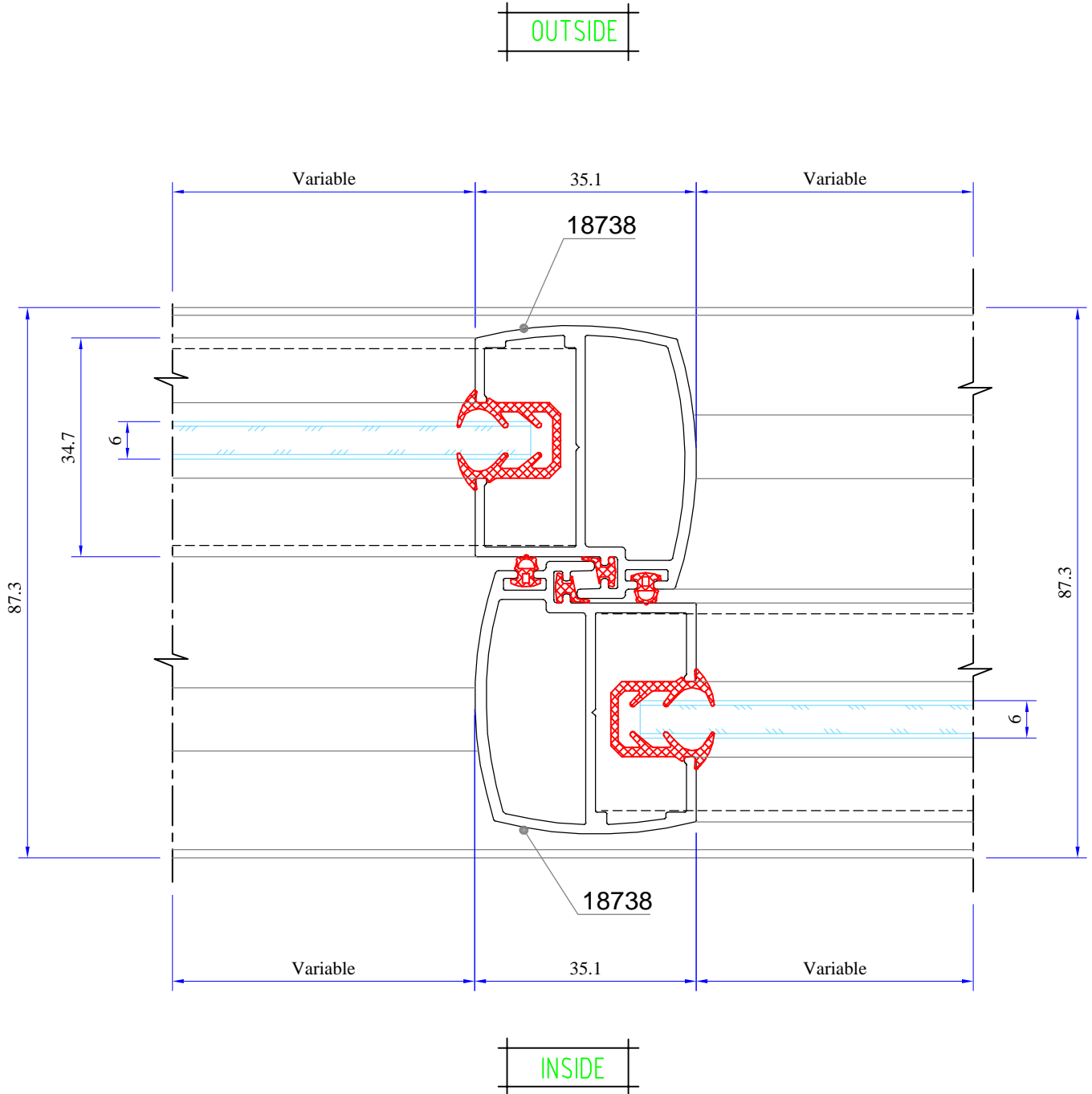
ASSEMBLY DRAWING

DETAIL - F



ASSEMBLY DRAWING

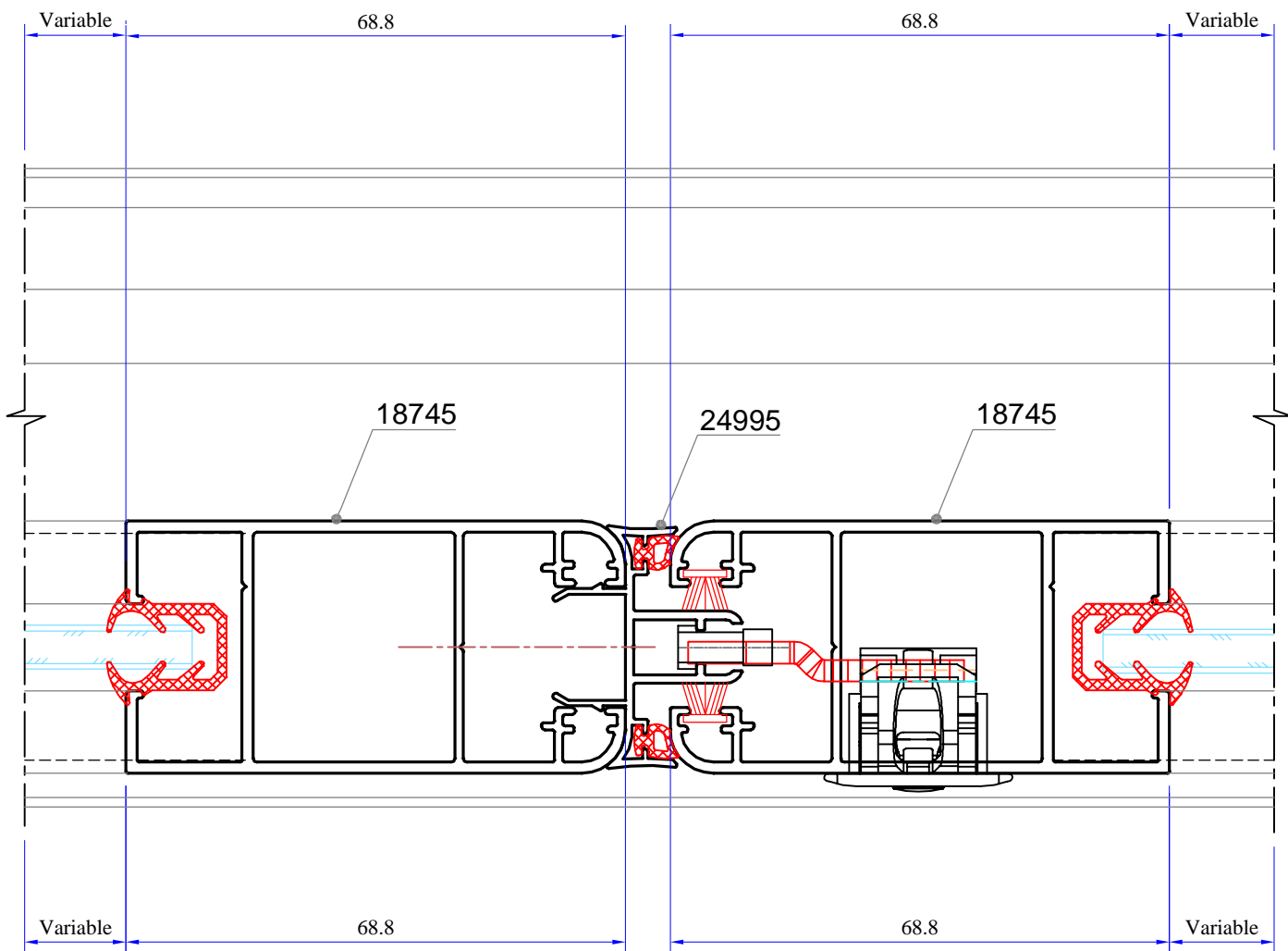
DETAIL - G



ASSEMBLY DRAWING

DETAIL -H

OUTSIDE

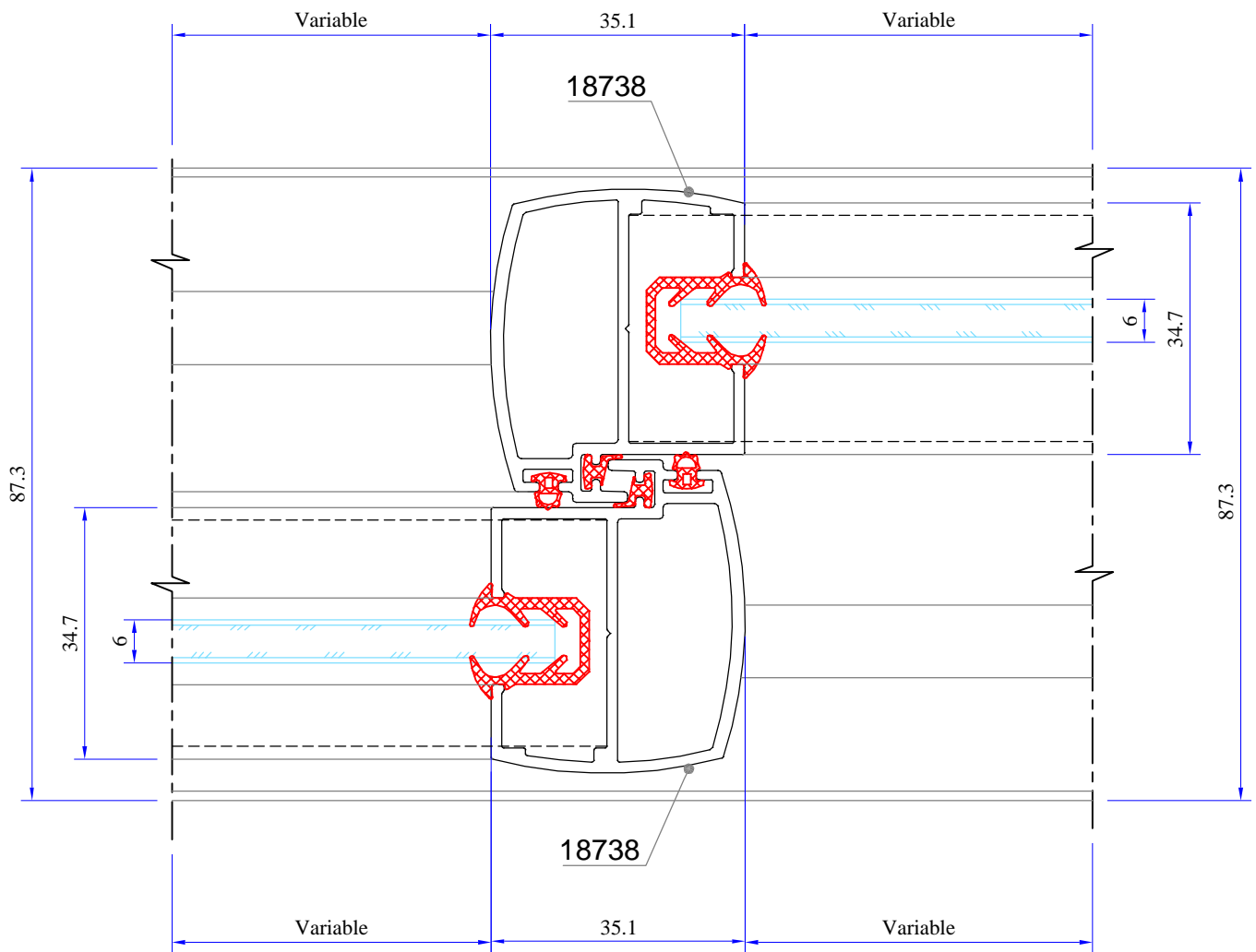


INSIDE

ASSEMBLY DRAWING

DETAIL -I

OUTSIDE

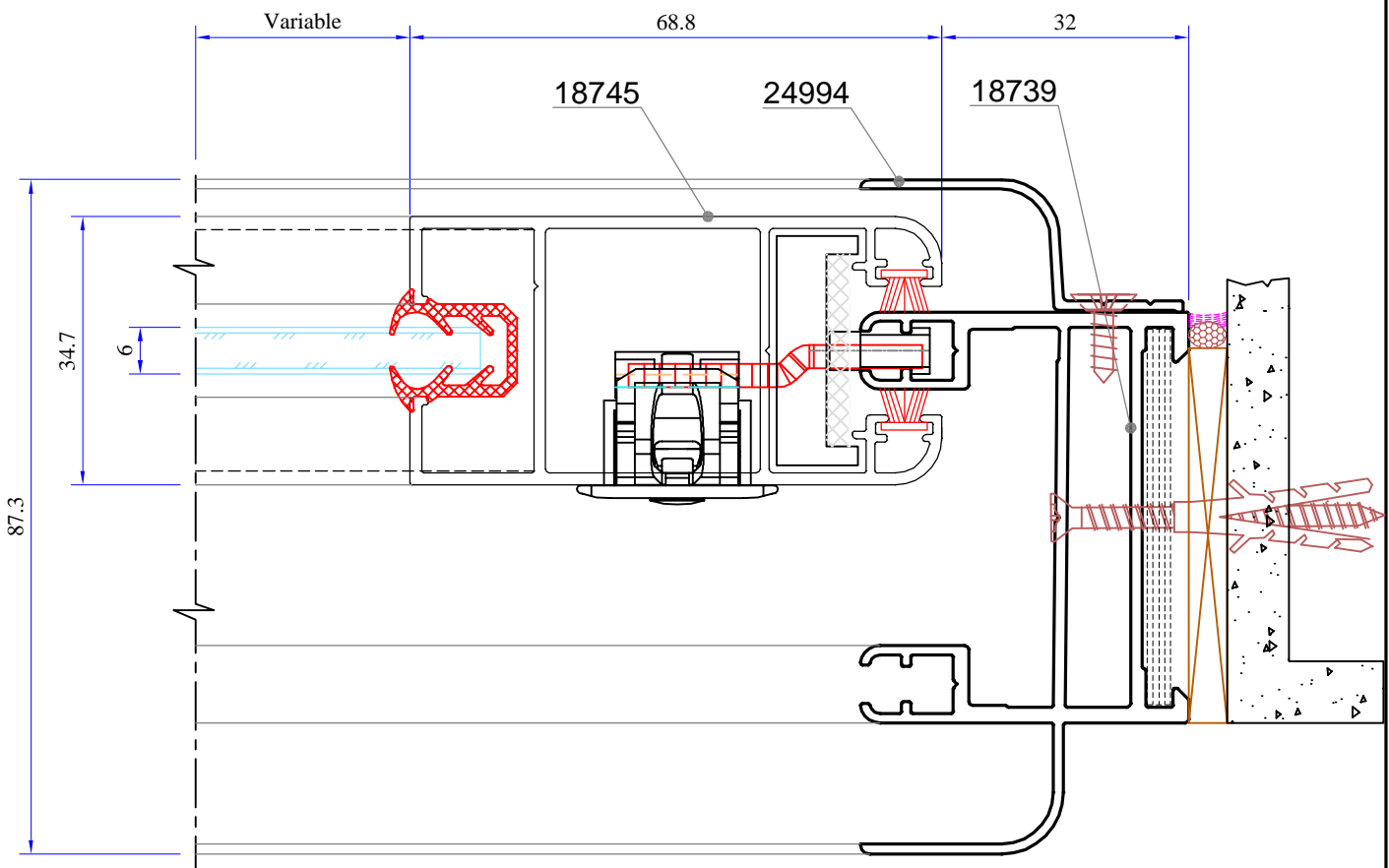


INSIDE

ASSEMBLY DRAWING

DETAIL -J

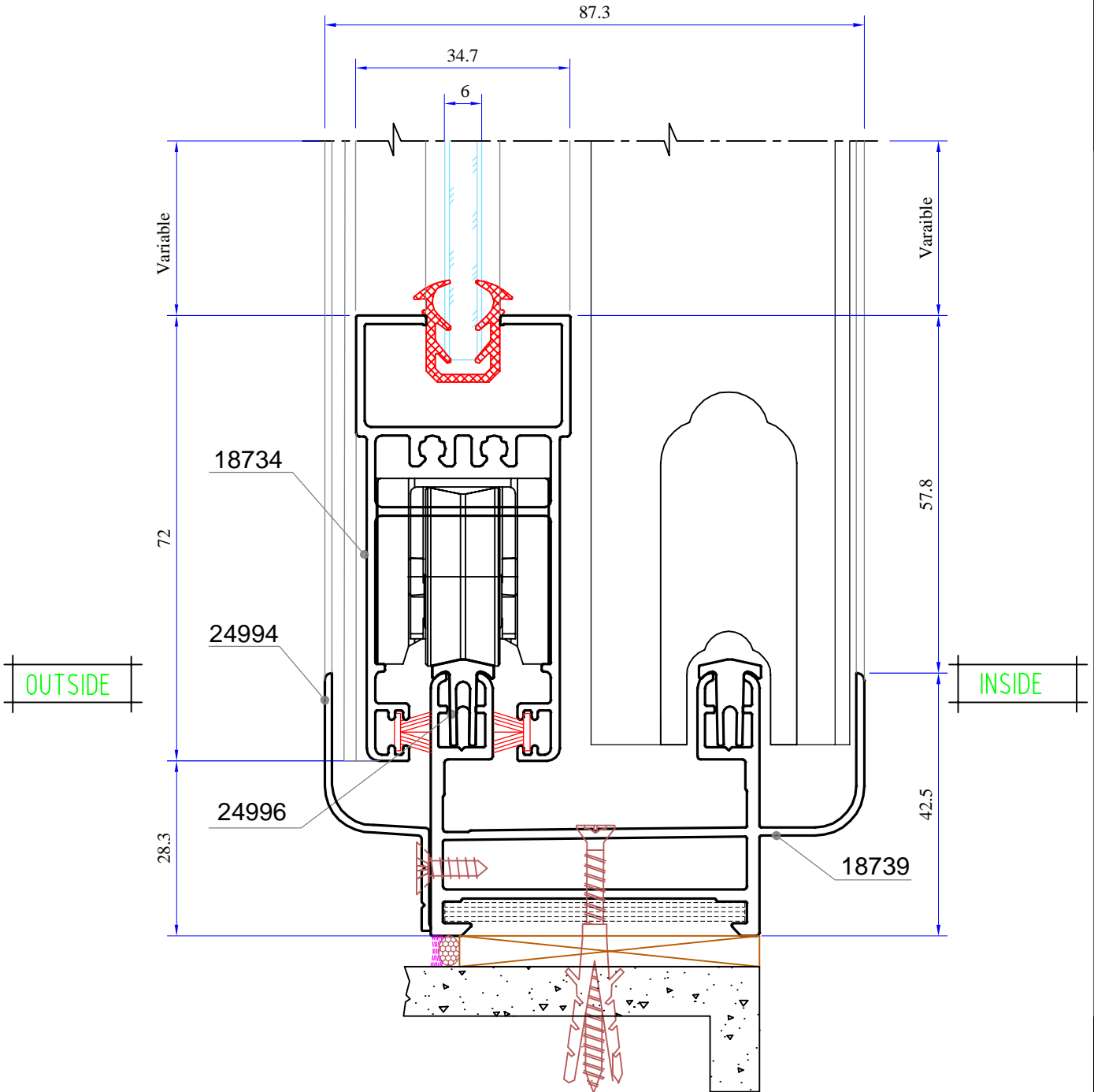
OUTSIDE



INSIDE

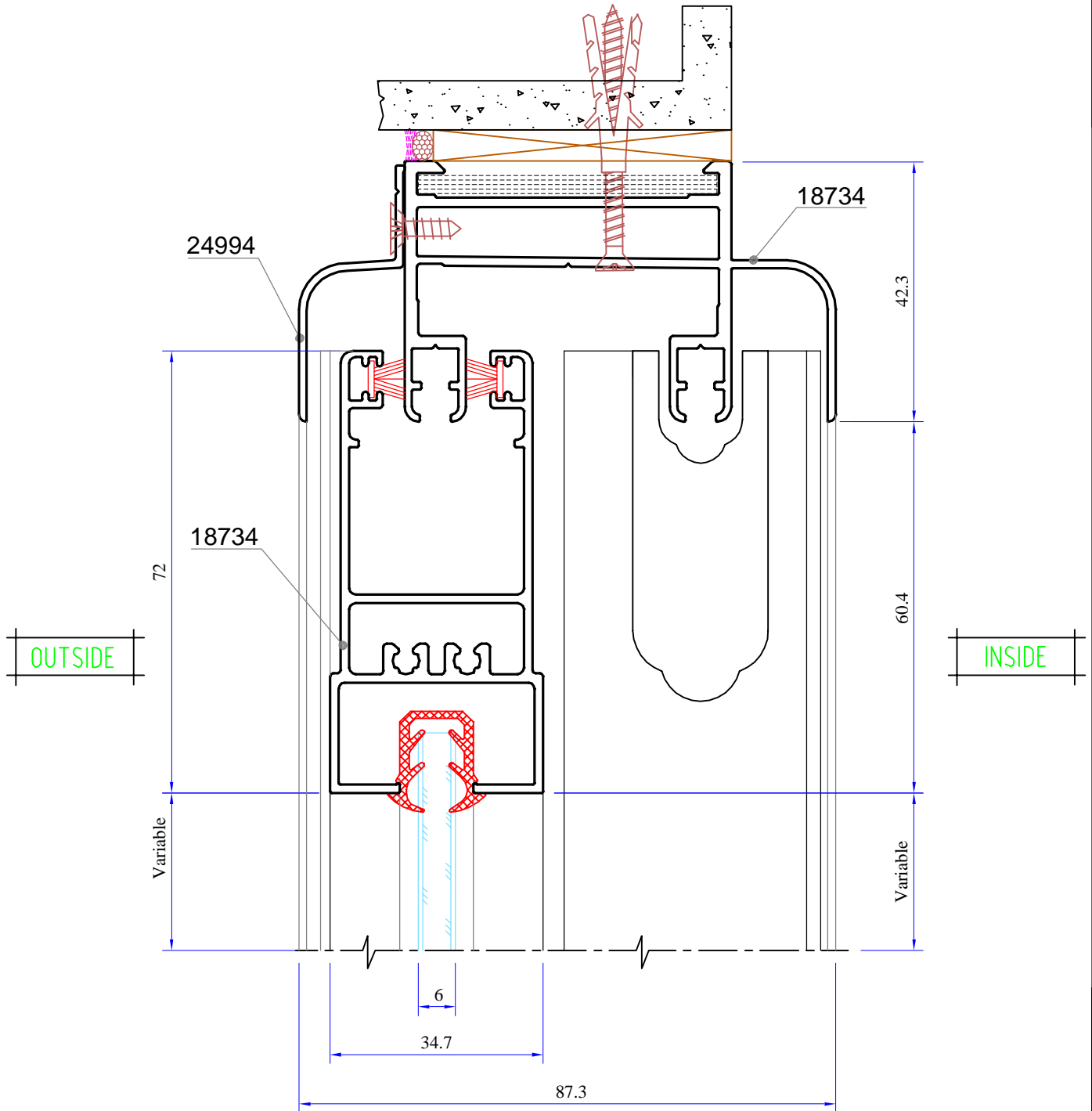
ASSEMBLY DRAWING

DETAIL - K

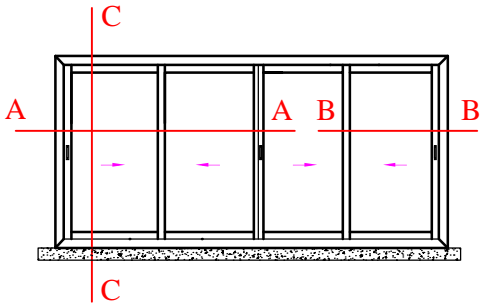


ASSEMBLY DRAWING

DETAIL - L



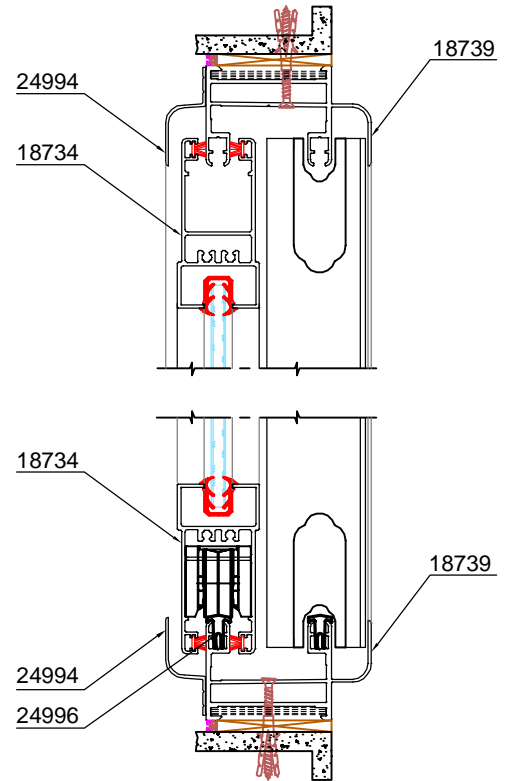
ASSEMBLY DRAWING



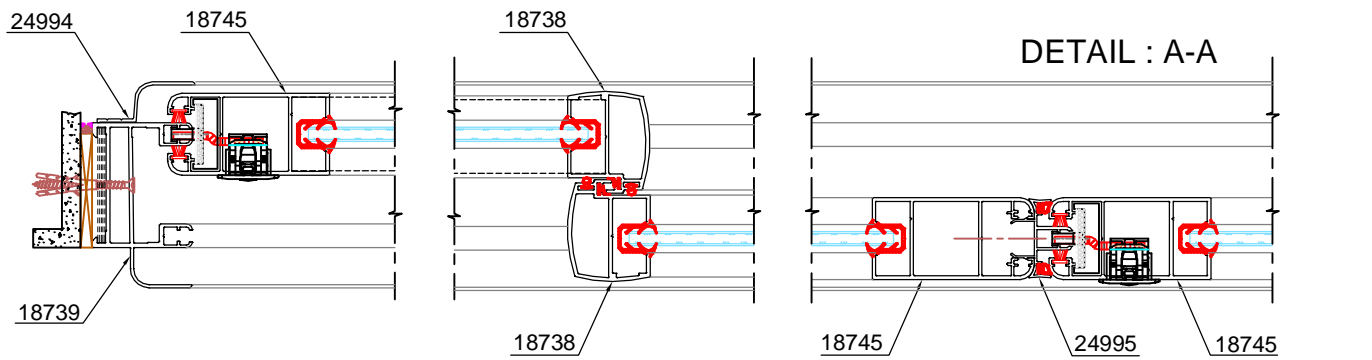
4 - SASH WINDOW

PROFILES (Single Glazed)		
Description	Shape	Section No.
Frame		18739
Bottom/Top Sash		18734
Side Sash		18745
Interlock		18738
Rail section		24996
Meeting section		24995
Weather Shad		24994

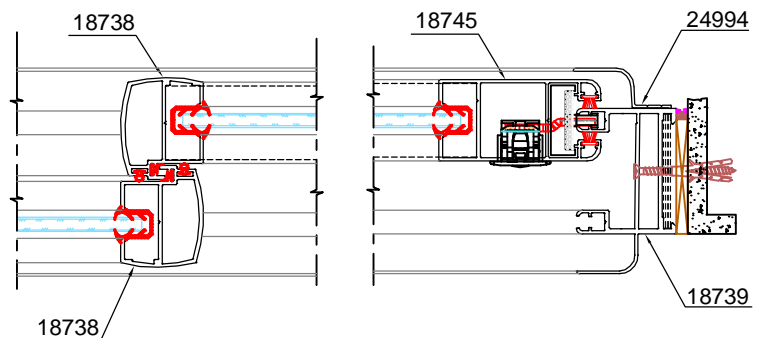
DETAIL : C-C



DETAIL : A-A

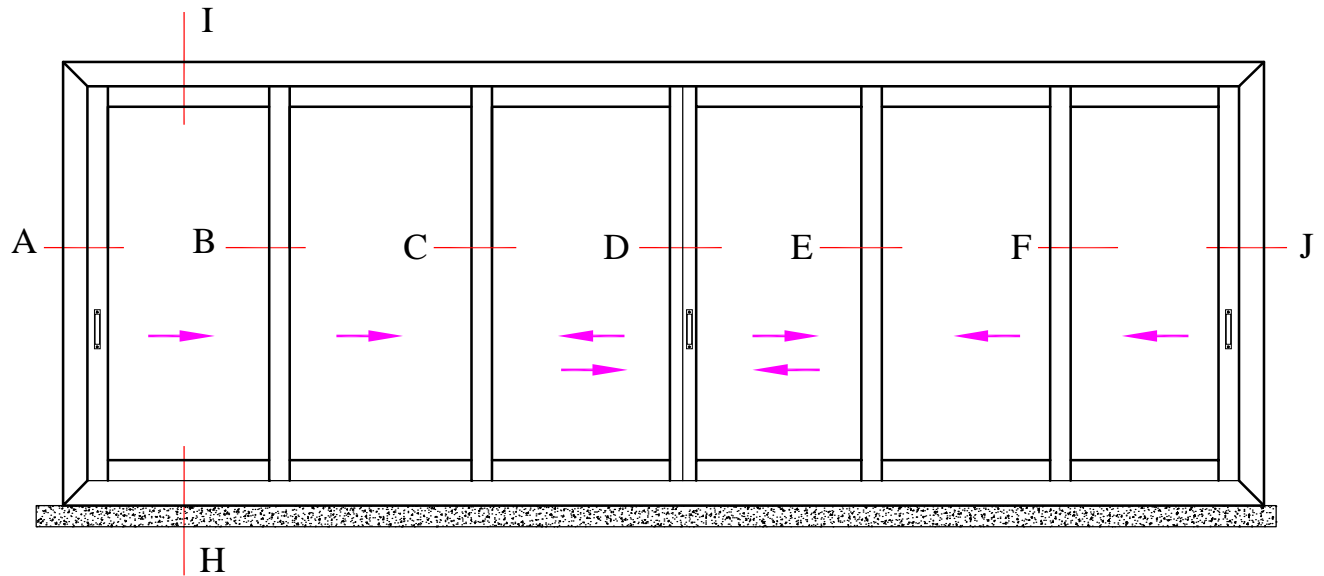


DETAIL : B-B



ASSEMBLY DRAWING

3-TRACK DOOR / 6-SASH

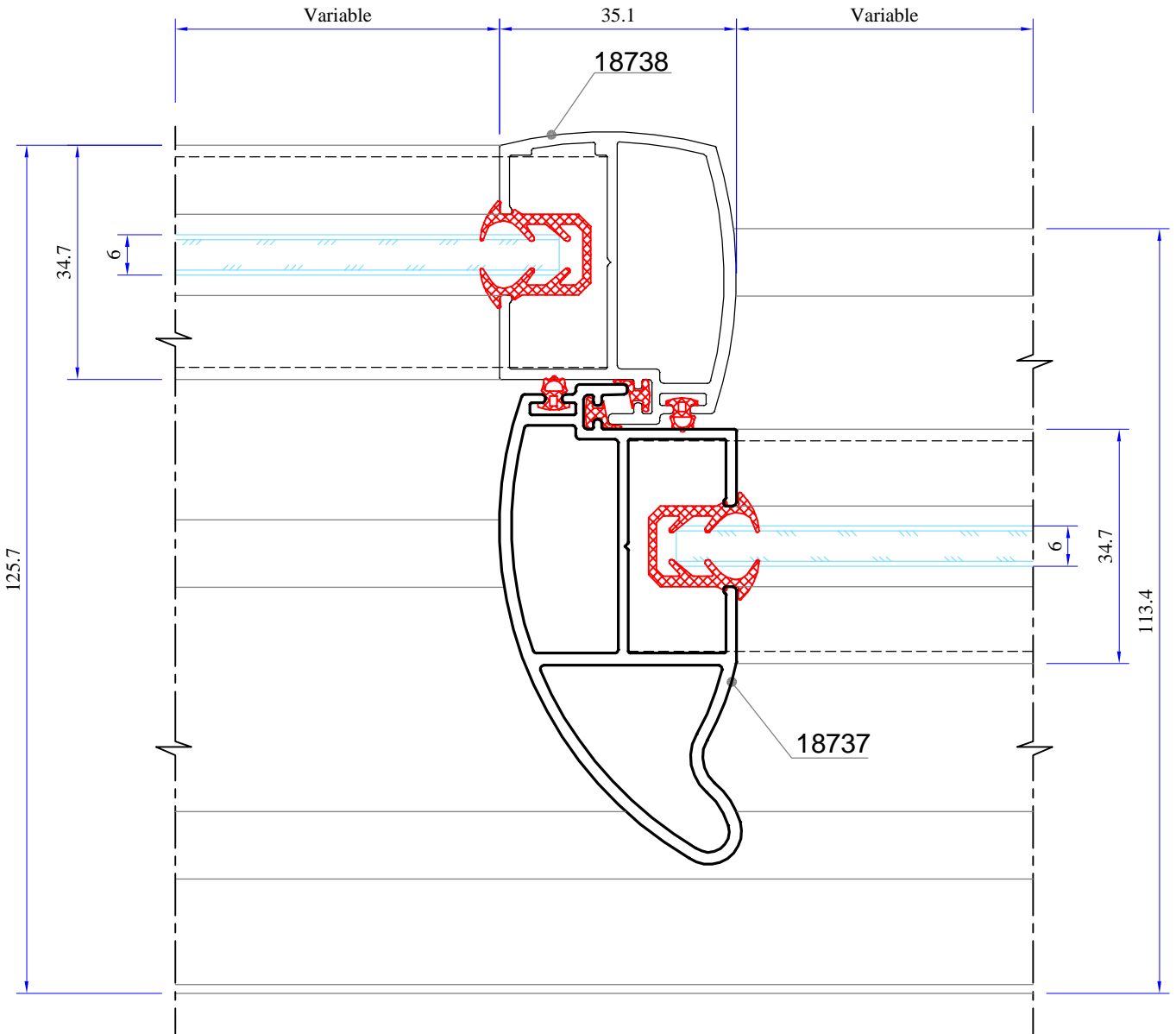


All dimension in cross sections are shown in mm
Profiles are not necessarily shown to scale

ASSEMBLY DRAWING

DETAIL - B

OUTSIDE

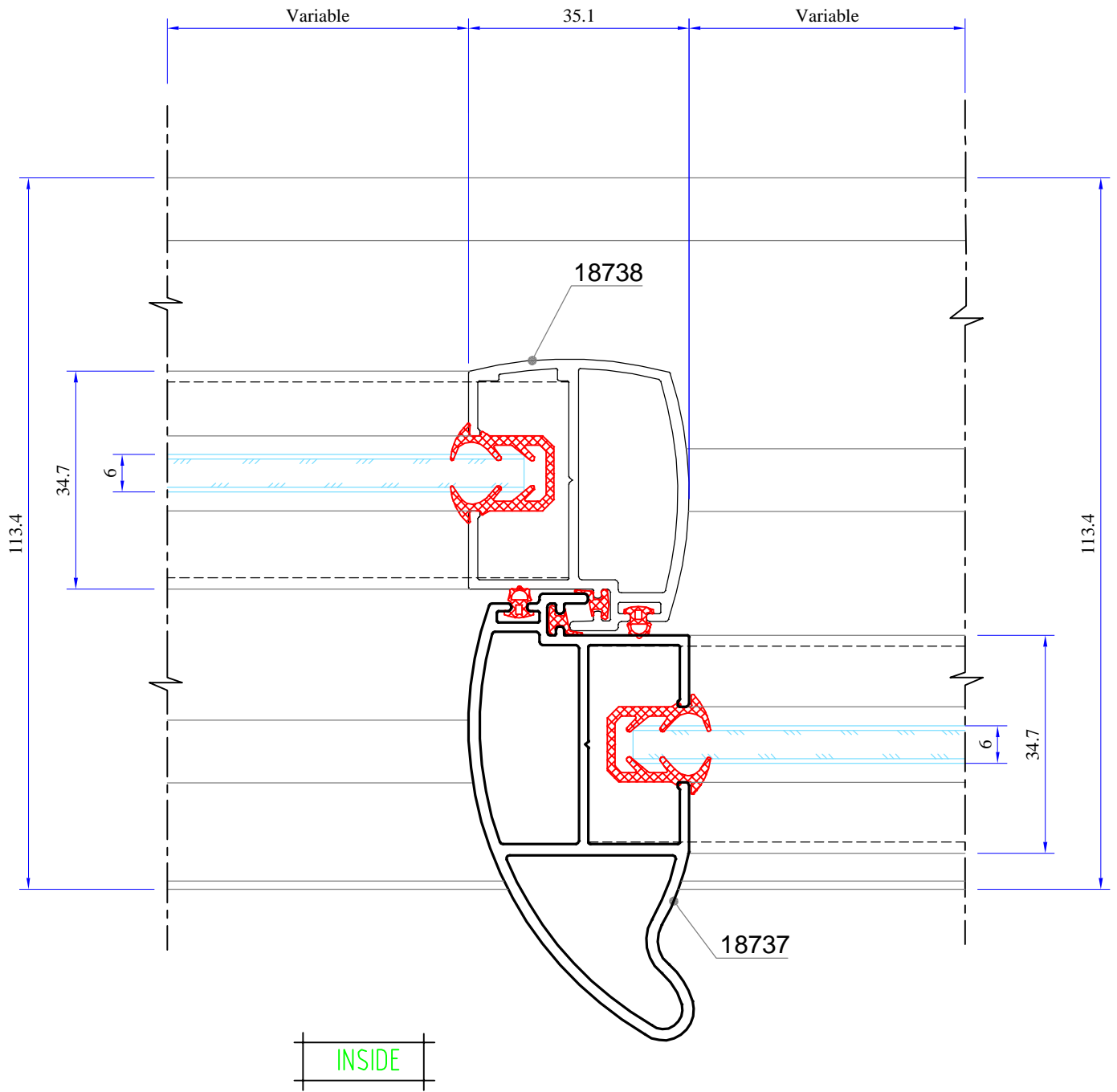


INSIDE

ASSEMBLY DRAWING

DETAIL - C

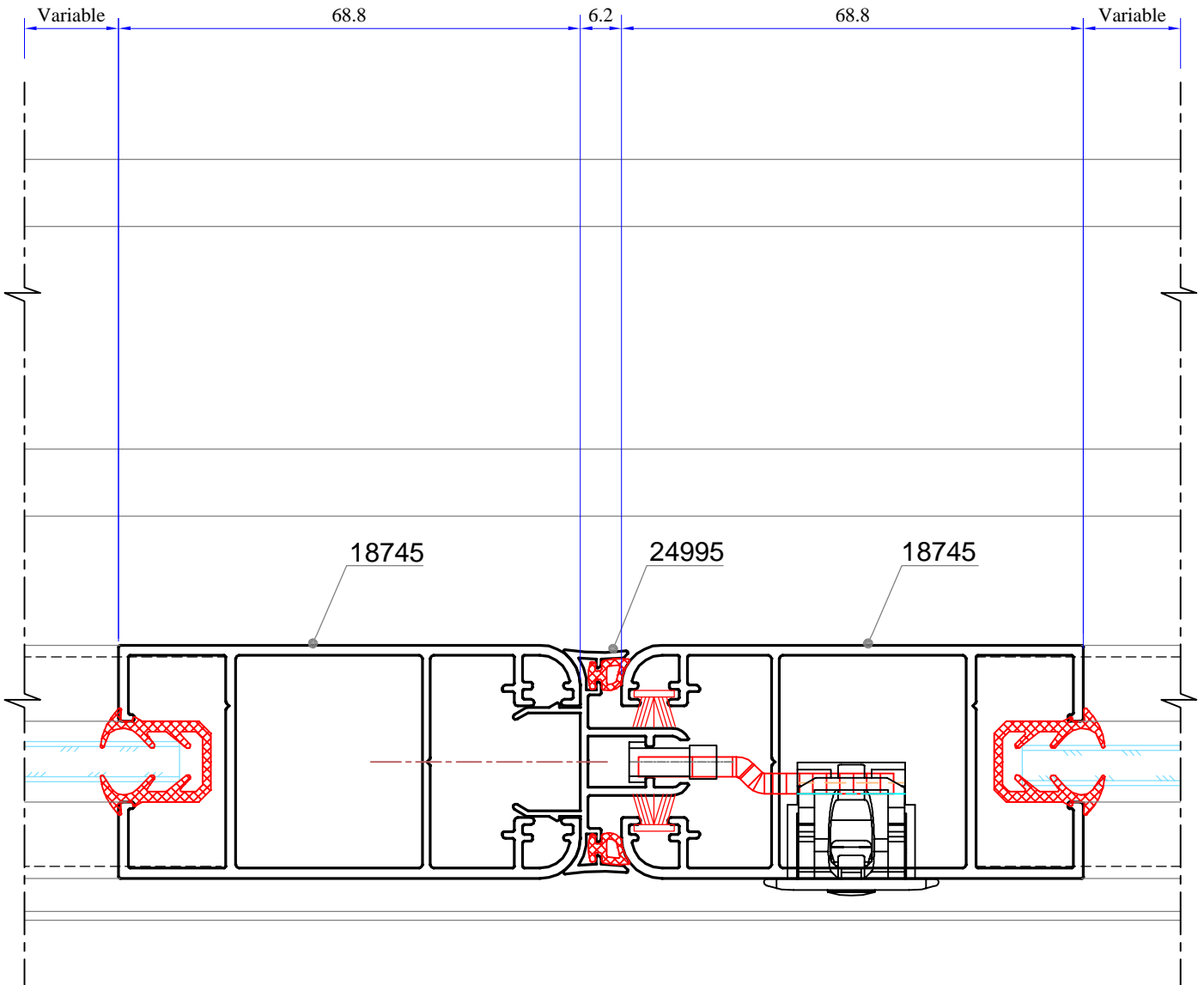
OUTSIDE



ASSEMBLY DRAWING

DETAIL - D

OUTSIDE

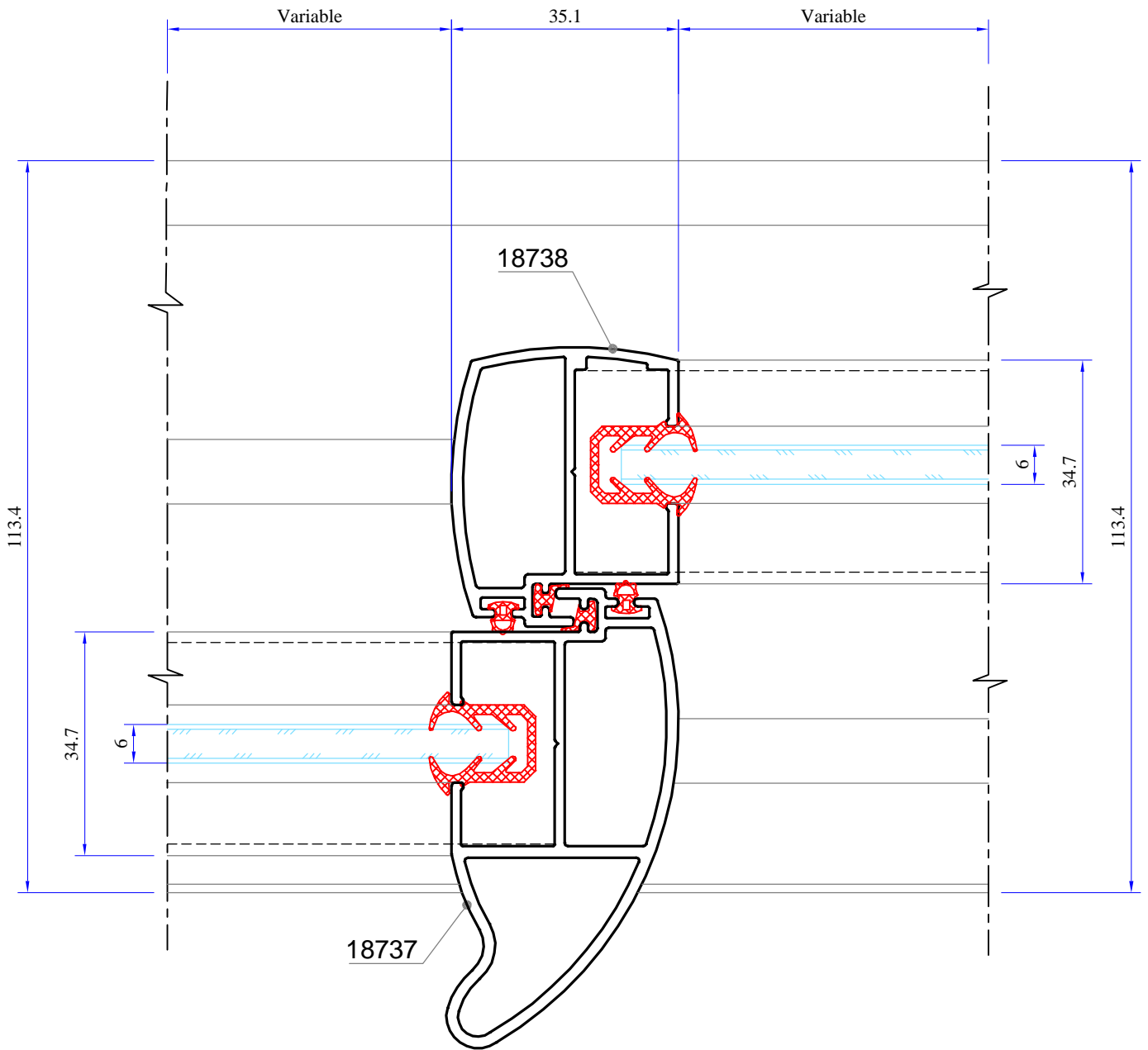


INSIDE

ASSEMBLY DRAWING

DETAIL - E

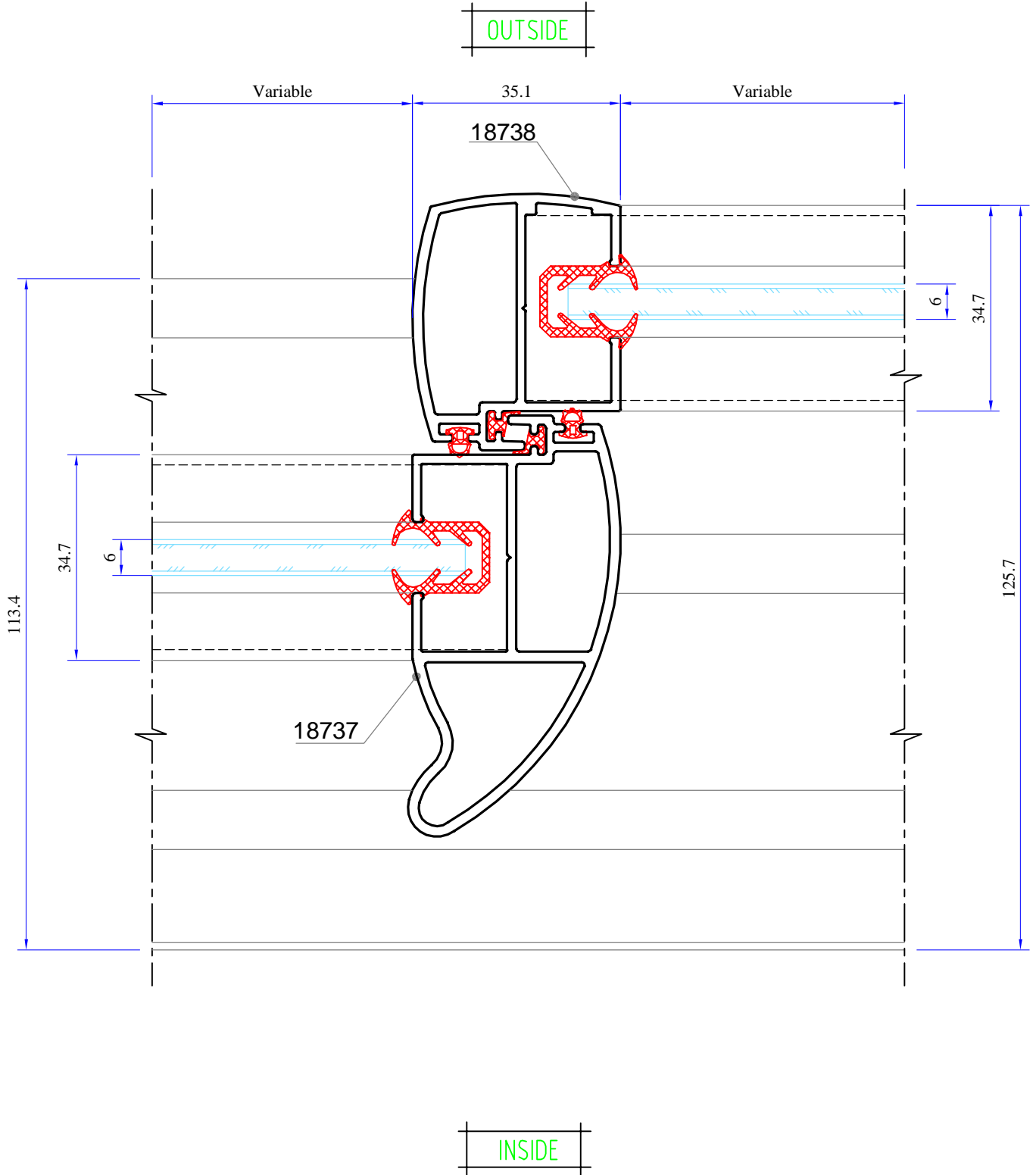
OUTSIDE



INSIDE

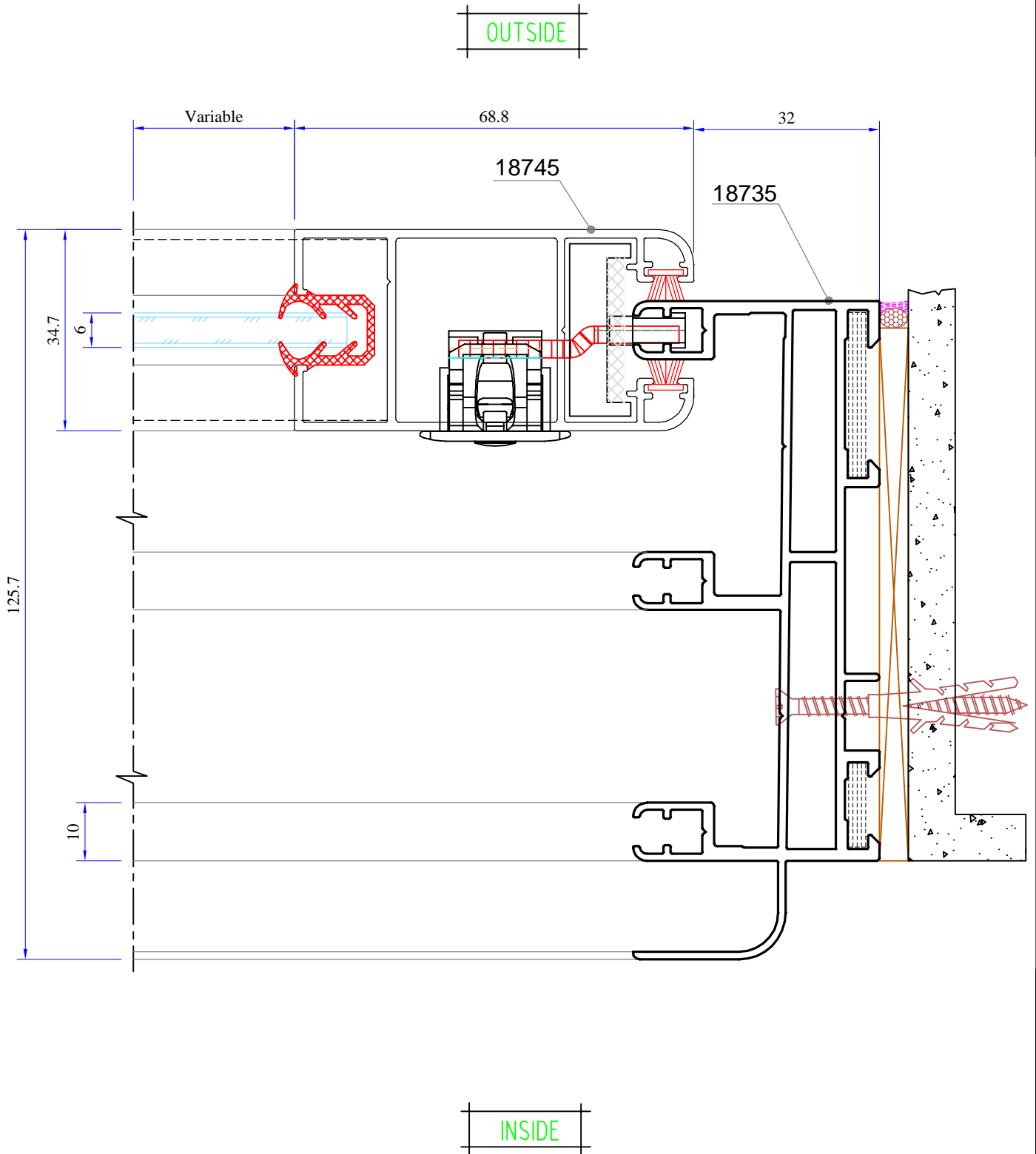
ASSEMBLY DRAWING

DETAIL - F



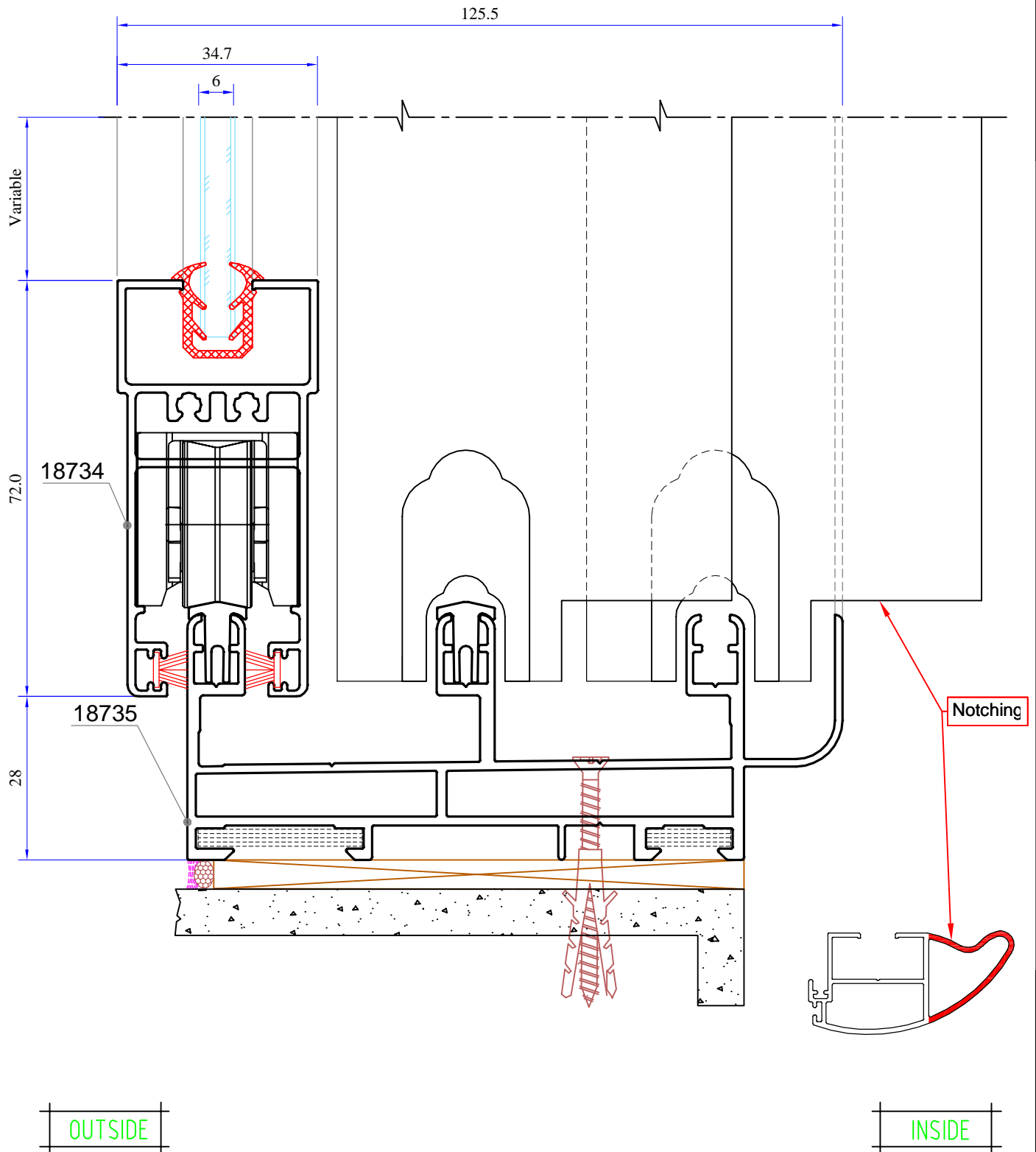
ASSEMBLY DRAWING

DETAIL - J



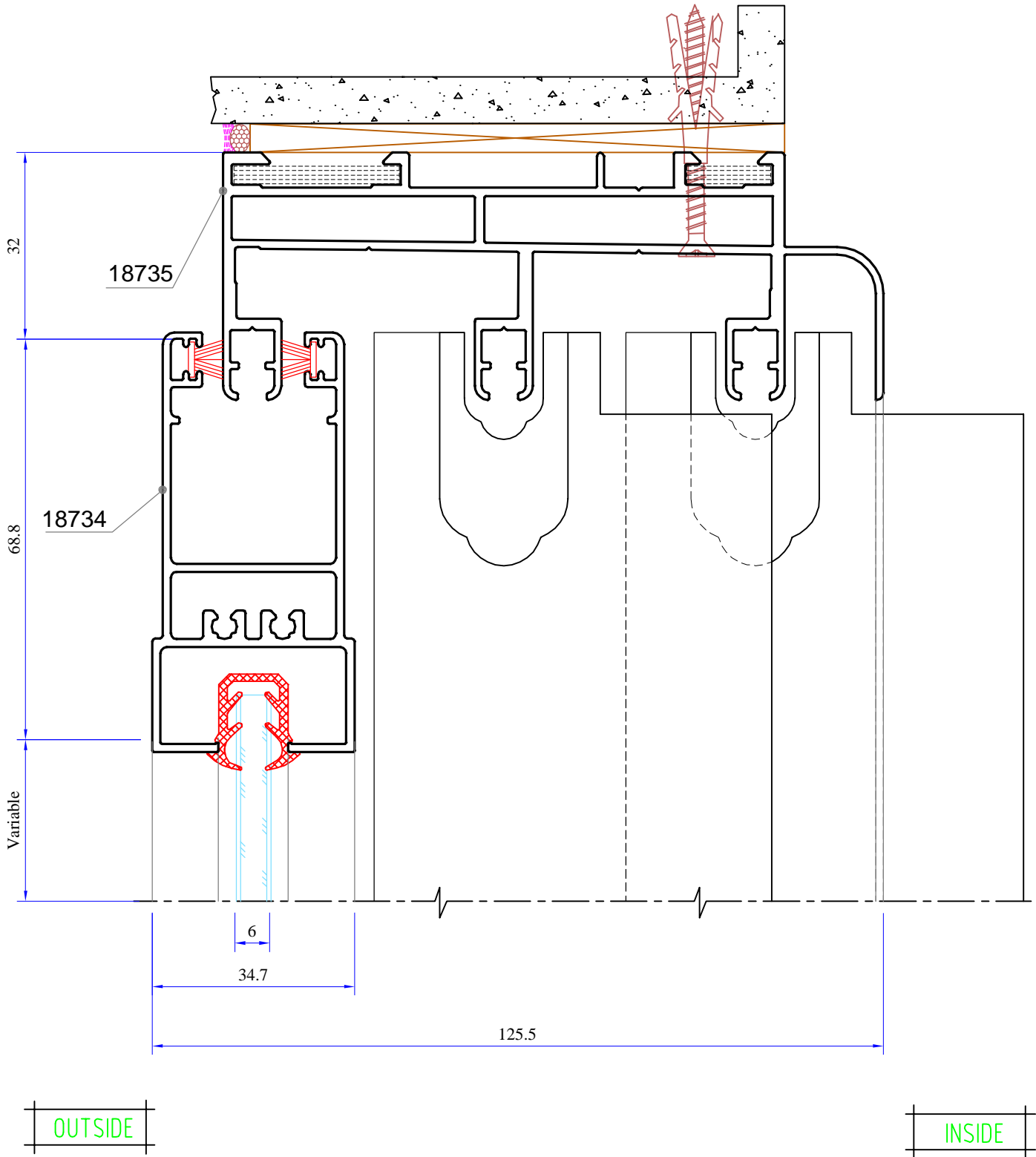
ASSEMBLY DRAWING

DETAIL -H



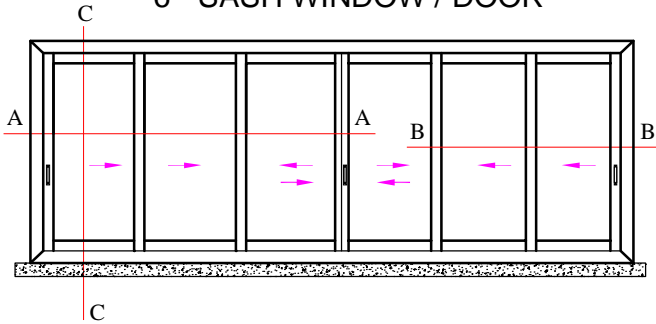
ASSEMBLY DRAWING

DETAIL - I



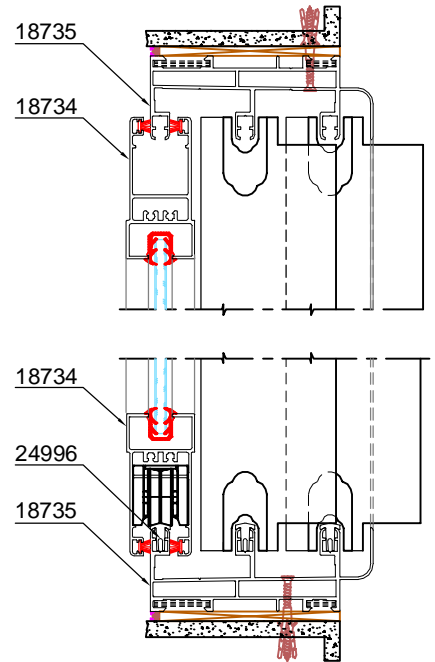
ASSEMBLY DRAWING

6 - SASH WINDOW / DOOR



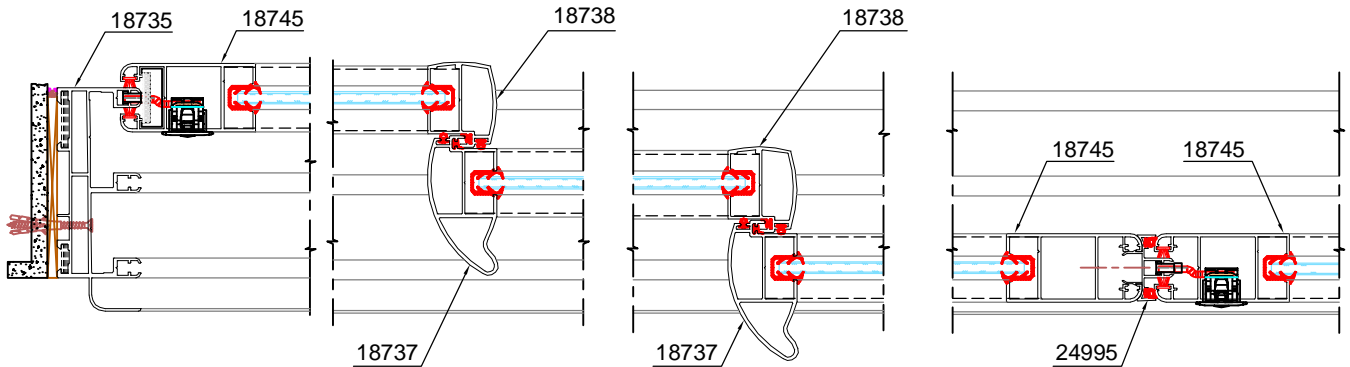
Single Glass unit with Thickness 6 mm

DETAIL : C-C

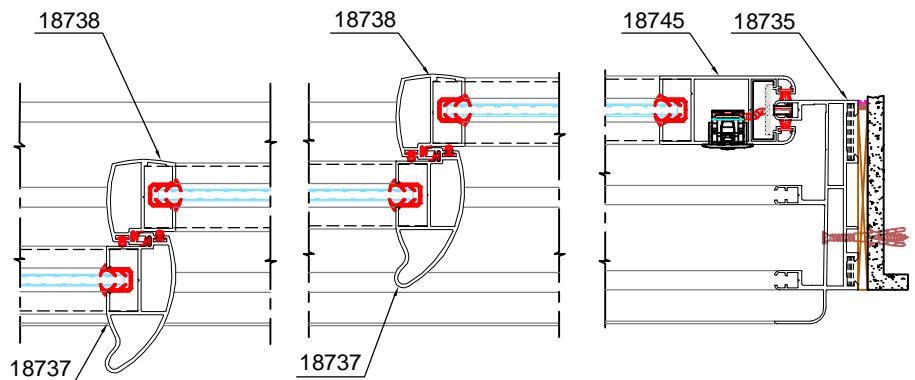


PROFILES (Single Glazed)		
Description	Shape	Section No.
Frame		18735
Bottom/Top Sash		18734
Side Sash		18745
Interlock		18738
Interlock		18737
Rail section		24996
Meeting section		24995

DETAIL : A-A

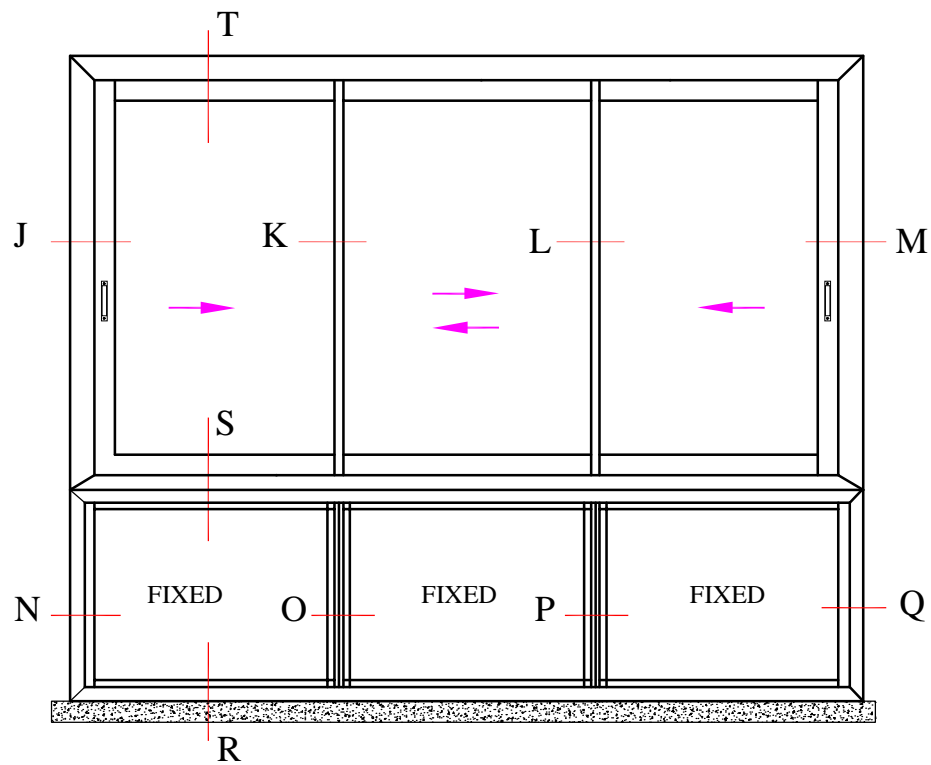


DETAIL : B-B



ASSEMBLY DRAWING

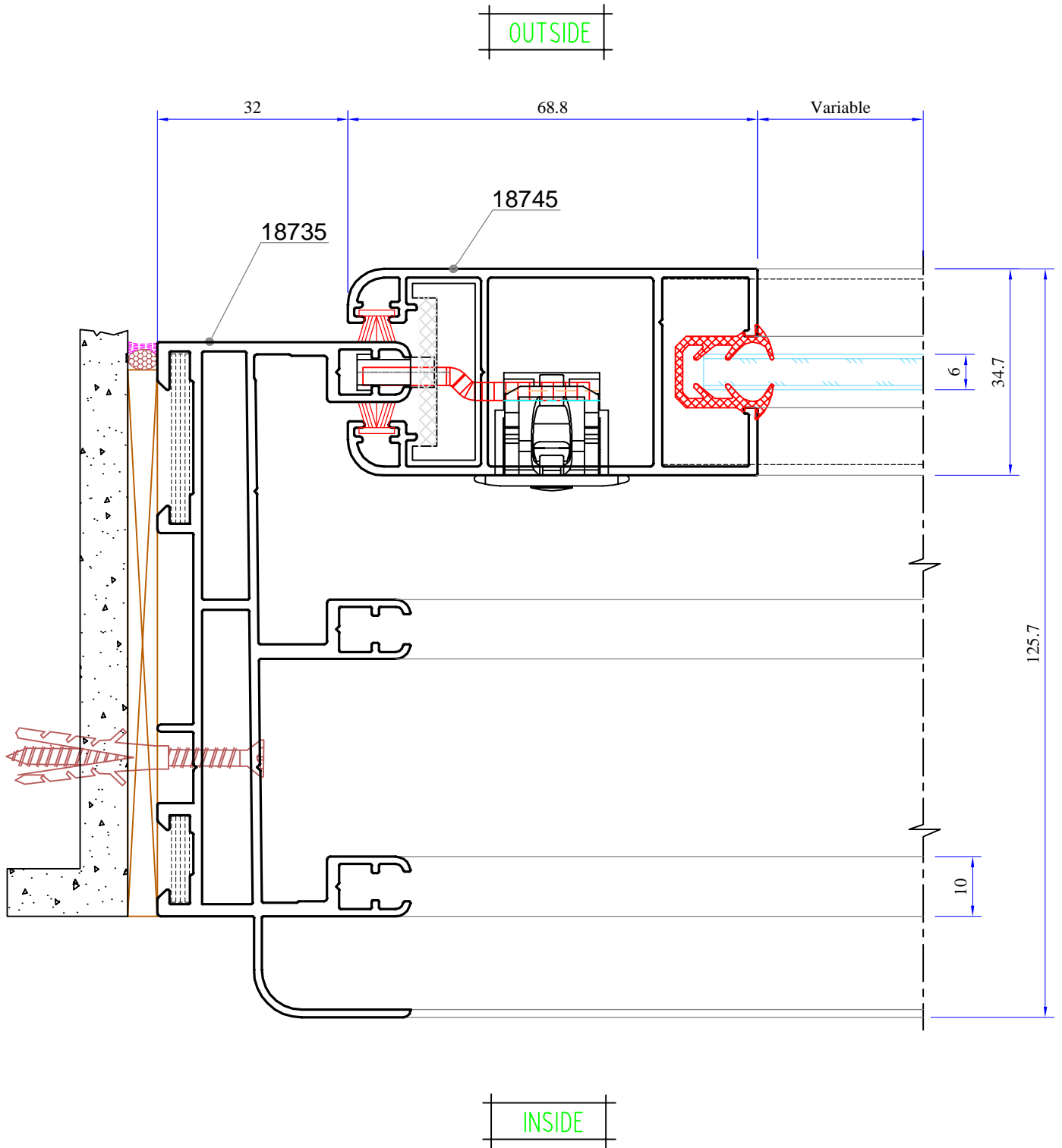
3-TRACK / 3-SASH WITH FIXED



All dimension in cross sections are shown in mm
Profiles are not necessarily shown to scale

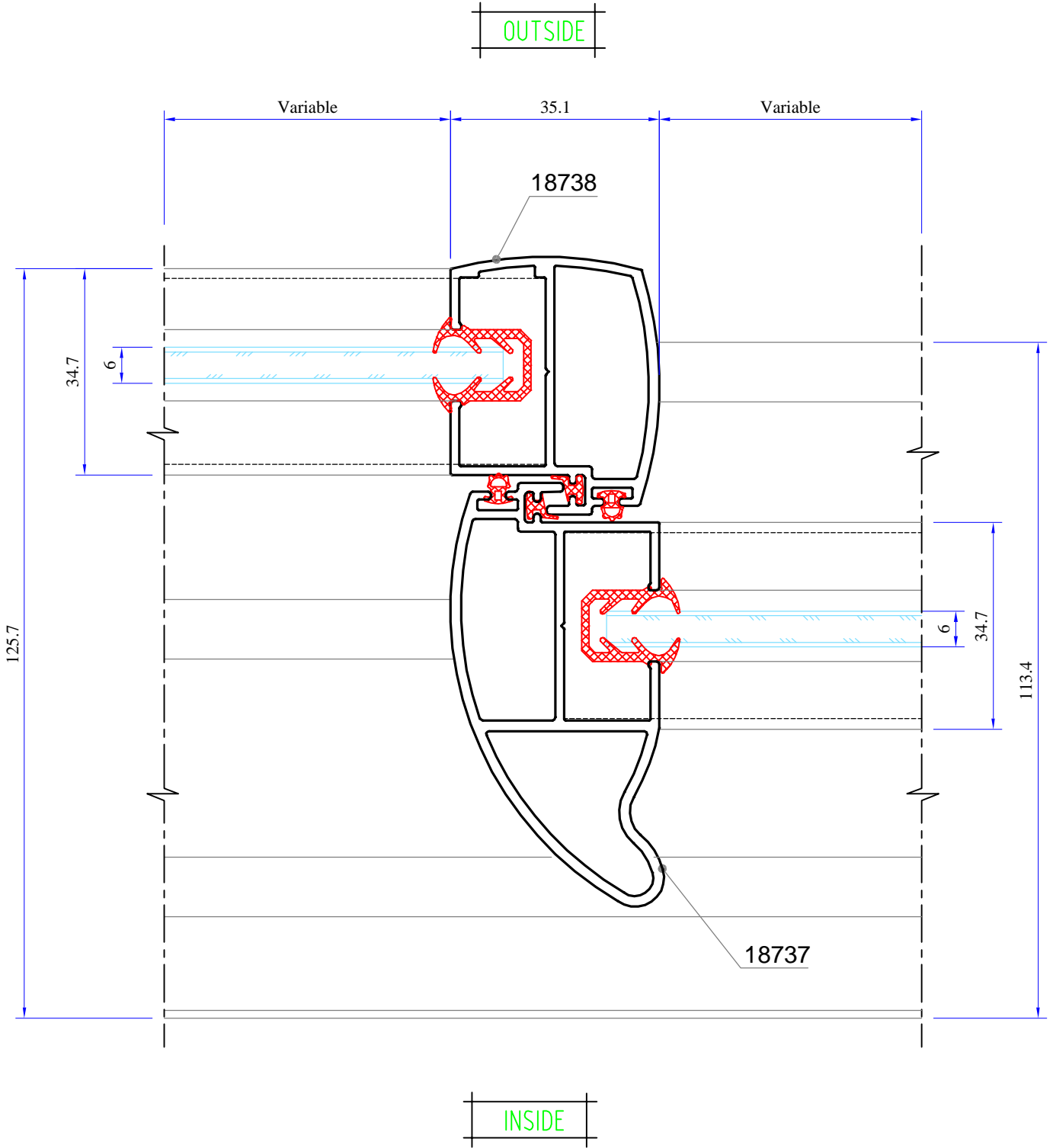
ASSEMBLY DRAWING

DETAIL - J



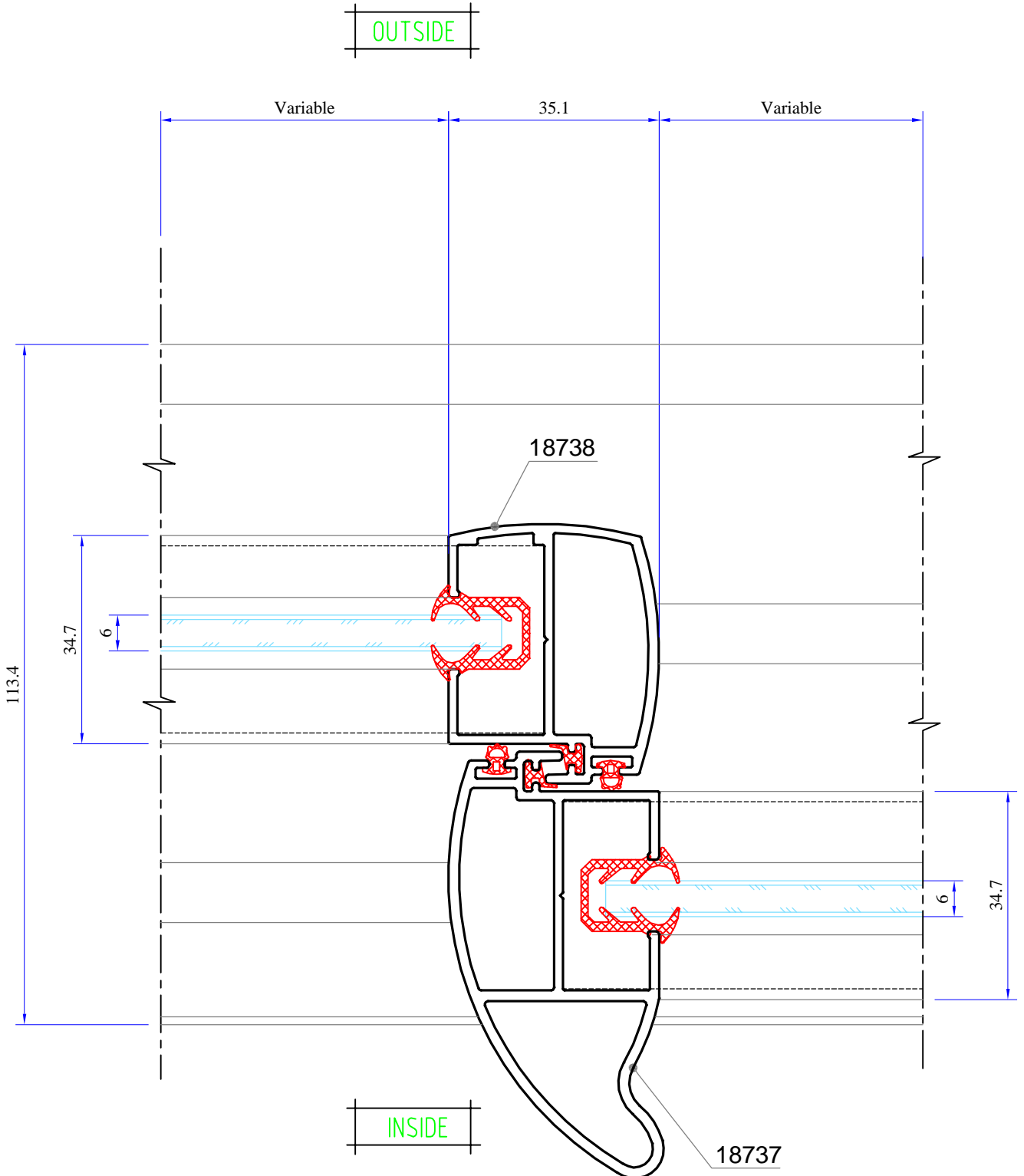
ASSEMBLY DRAWING

DETAIL - K



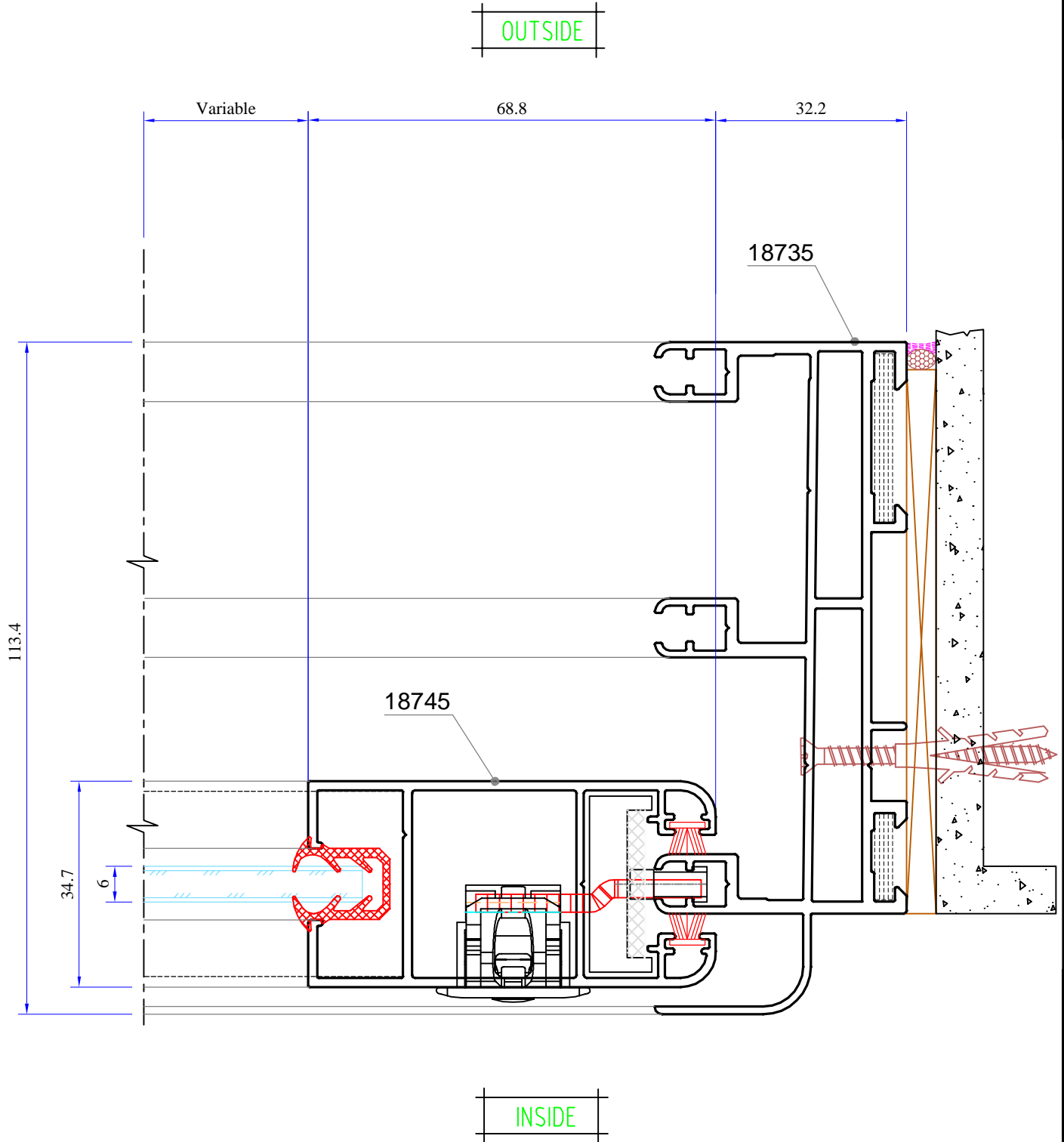
ASSEMBLY DRAWING

DETAIL - L



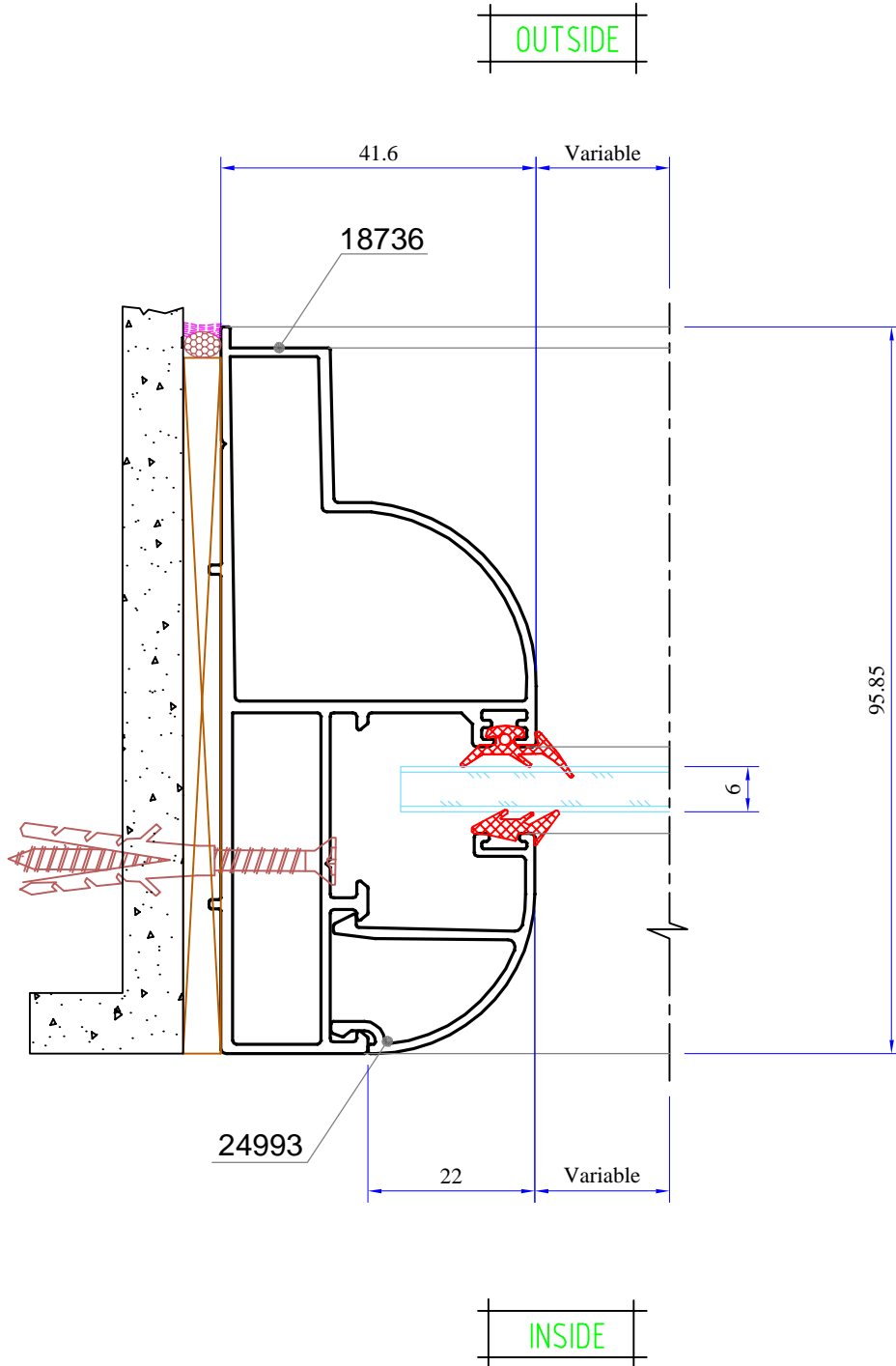
ASSEMBLY DRAWING

DETAIL - M



ASSEMBLY DRAWING

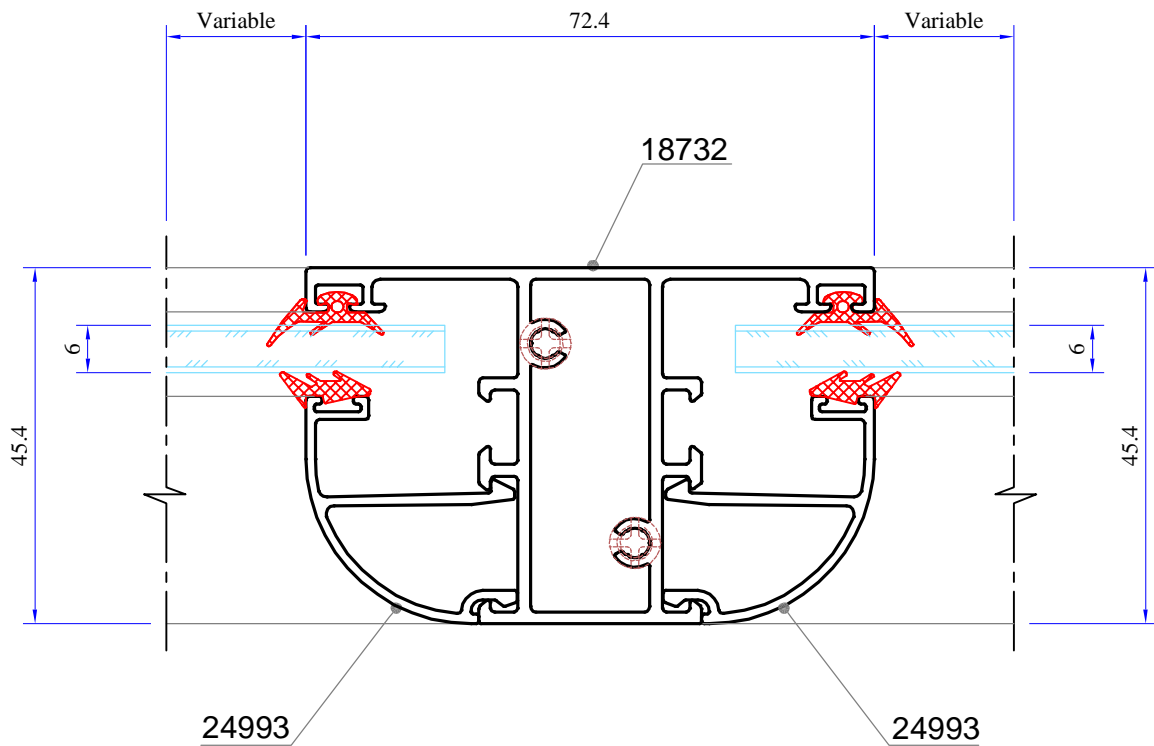
DETAIL -N



ASSEMBLY DRAWING

DETAIL - O & P

OUTSIDE

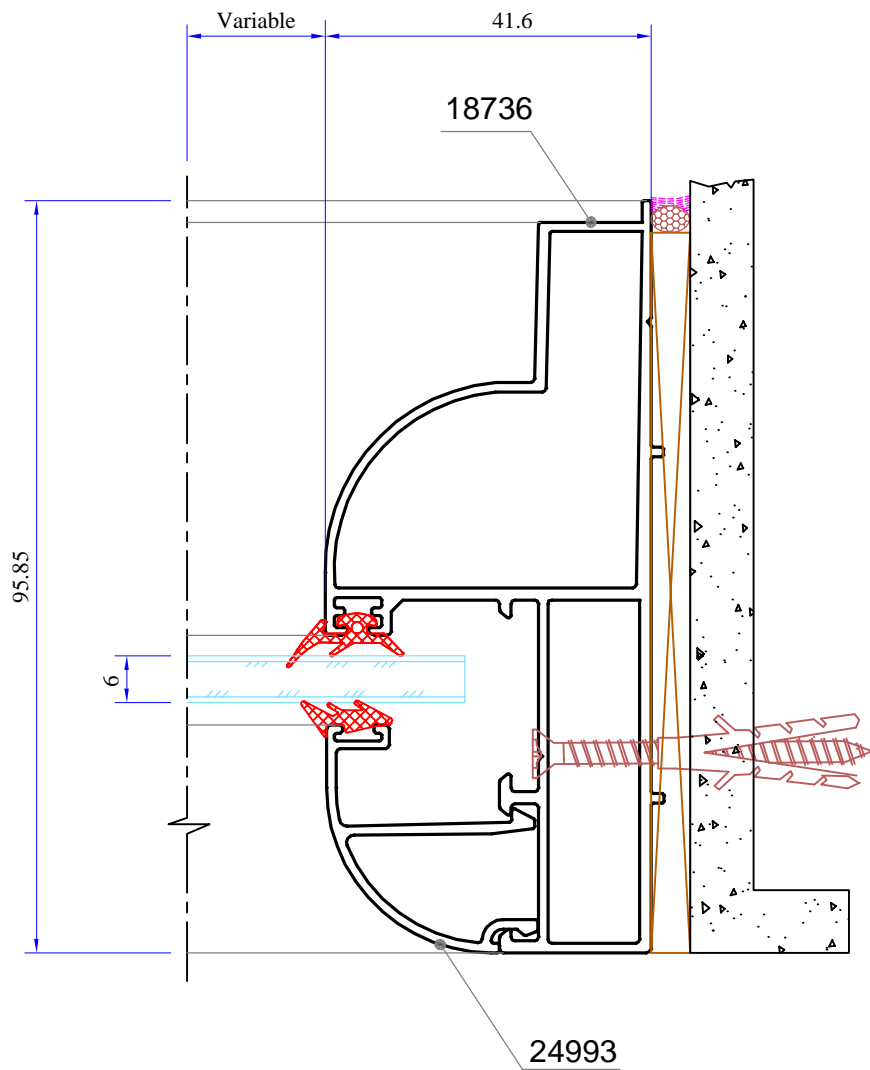


INSIDE

ASSEMBLY DRAWING

DETAIL -Q

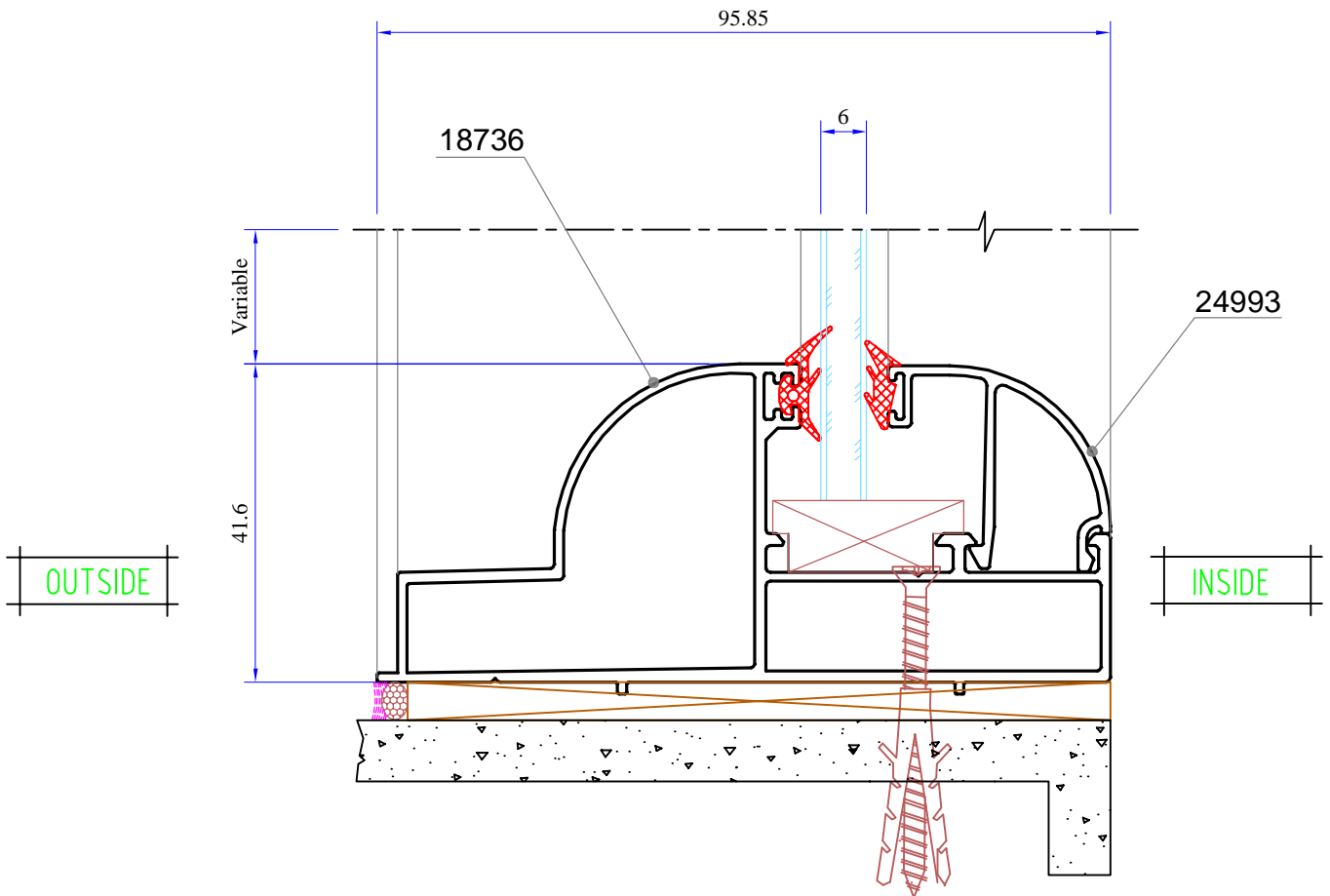
OUTSIDE



INSIDE

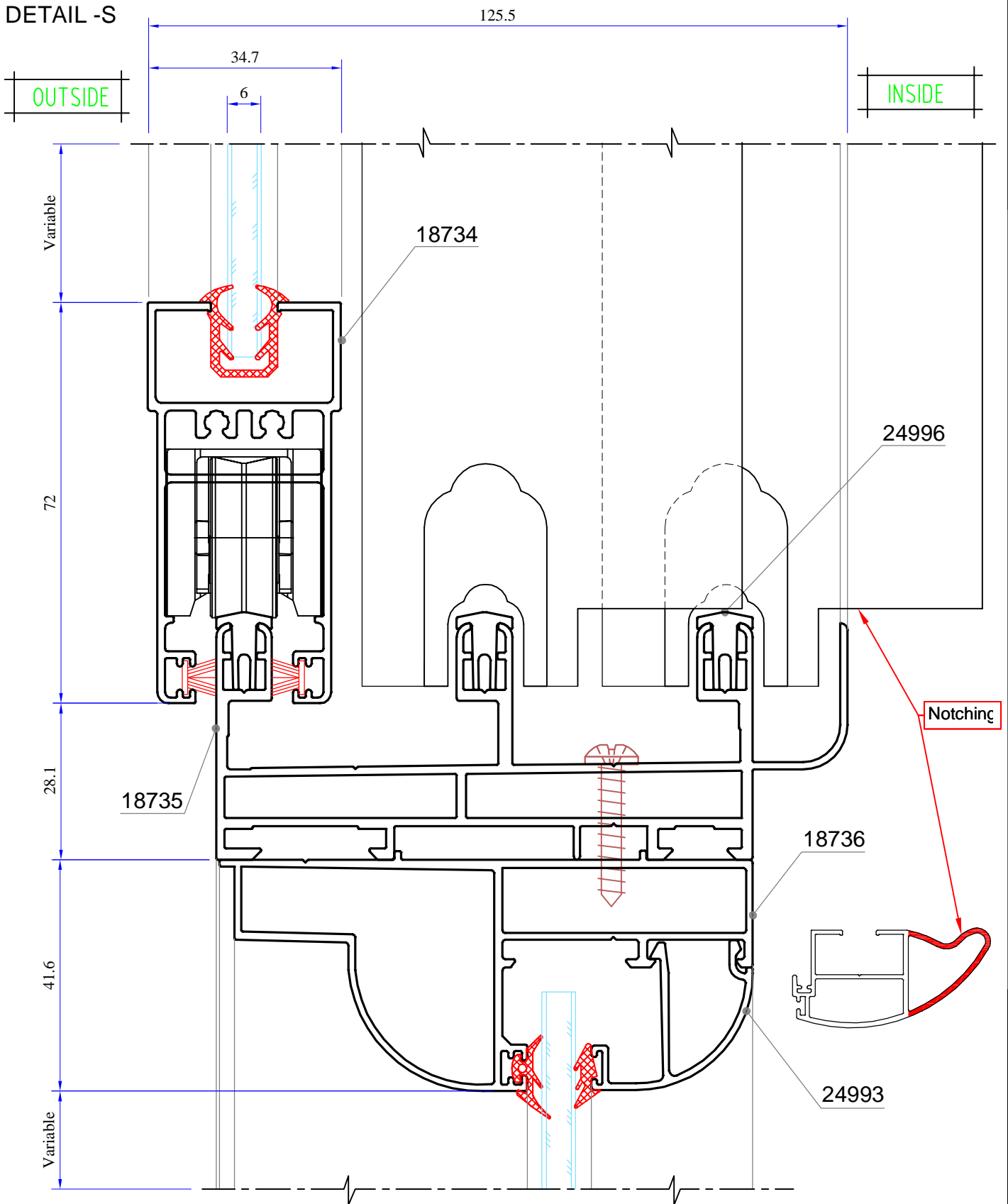
ASSEMBLY DRAWING

DETAIL -R



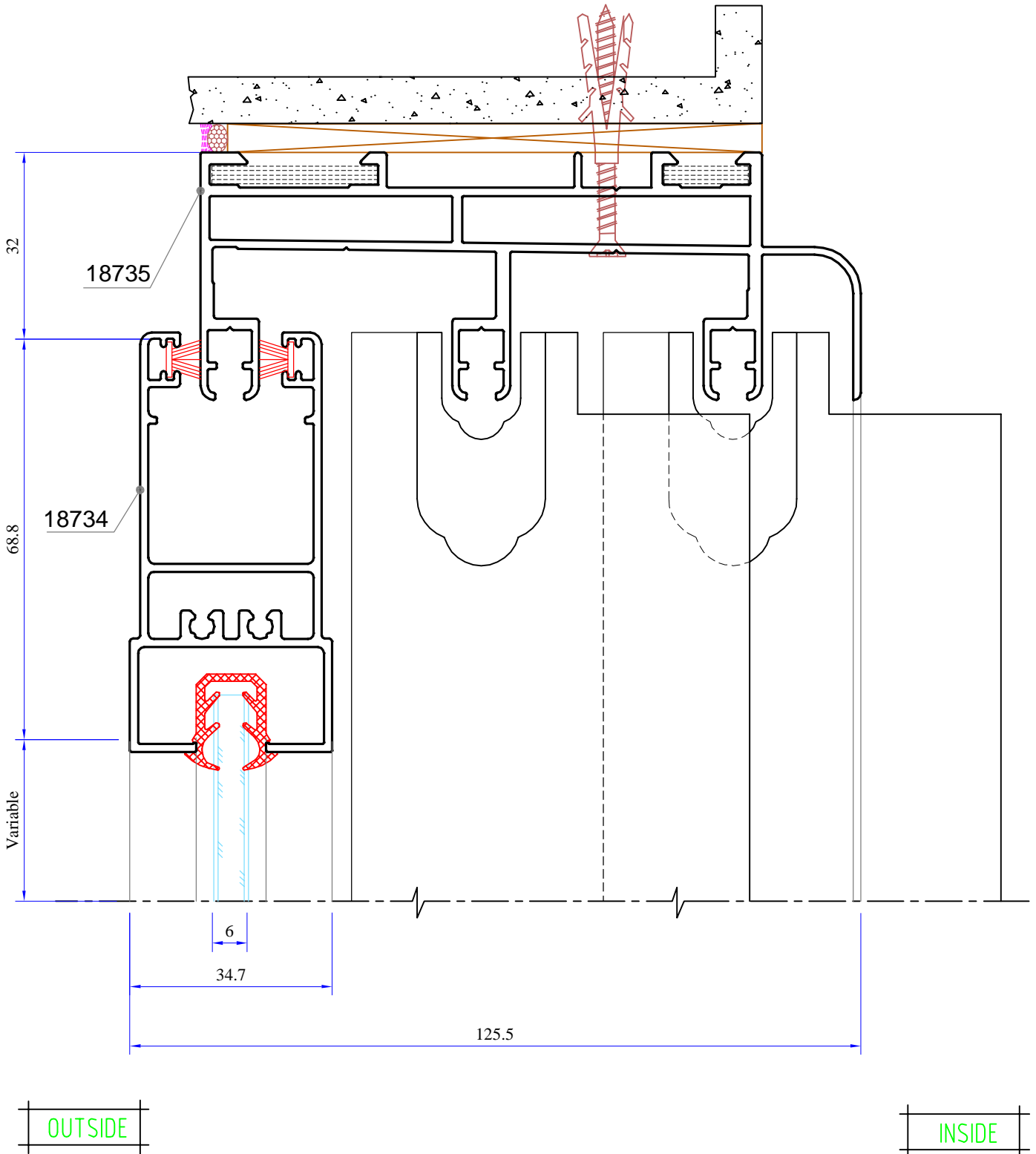
ASSEMBLY DRAWING

DETAIL -S



ASSEMBLY DRAWING

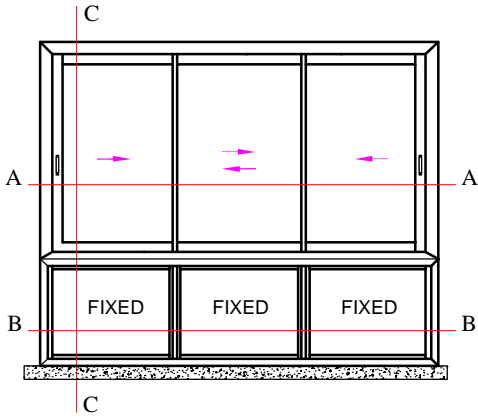
DETAIL -T



ASSEMBLY DRAWING

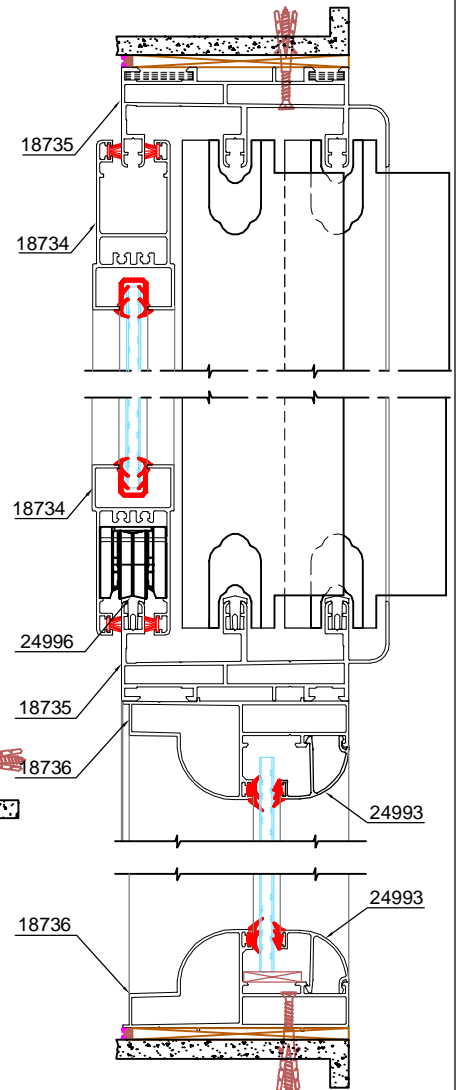
3- SASH WINDOW WITH FIXED

Single Glass unit with Thickness 6 mm

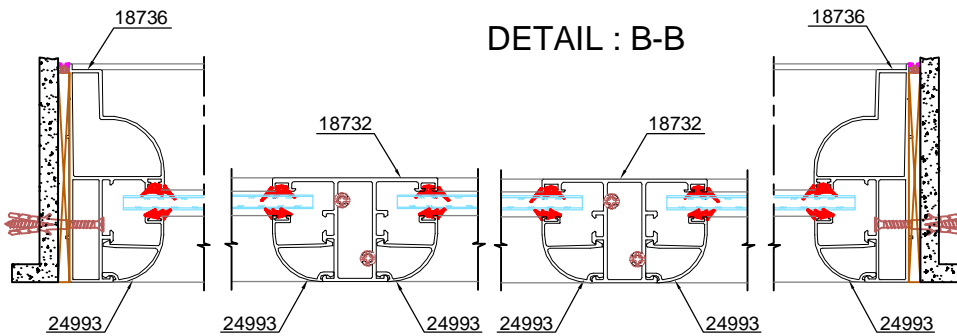


PROFILES (Single Glazed)		
Description	Shape	Section No.
Frame		18735
Bottom/Top Sash		18734
Side Sash		18745
Interlock		18738
Interlock		18737
Rail section		24996
Fix Frame		18736
T -Section		18732
Glazed Bead		24993

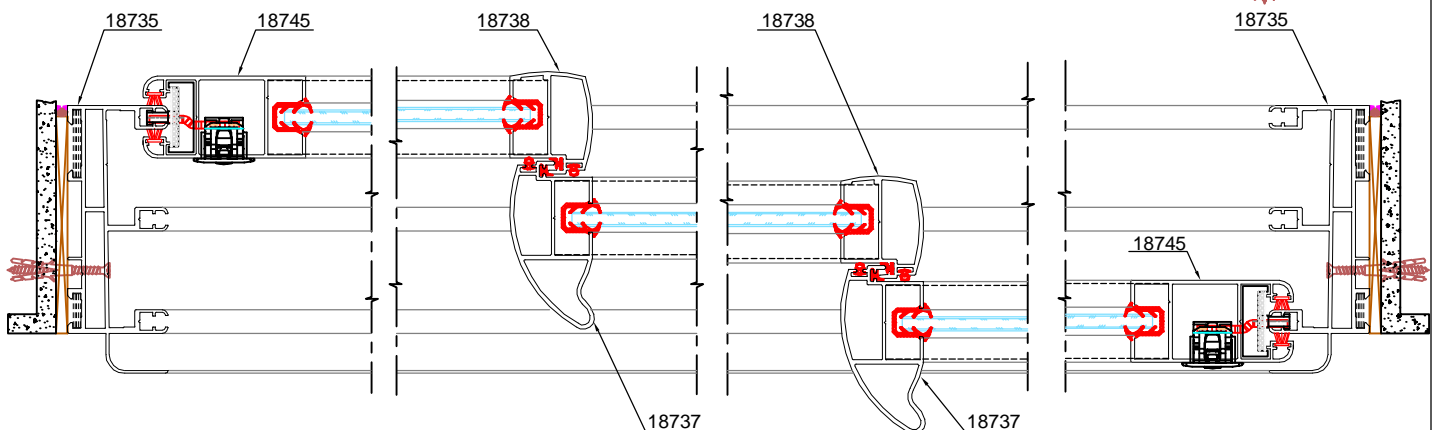
DETAIL : C-C



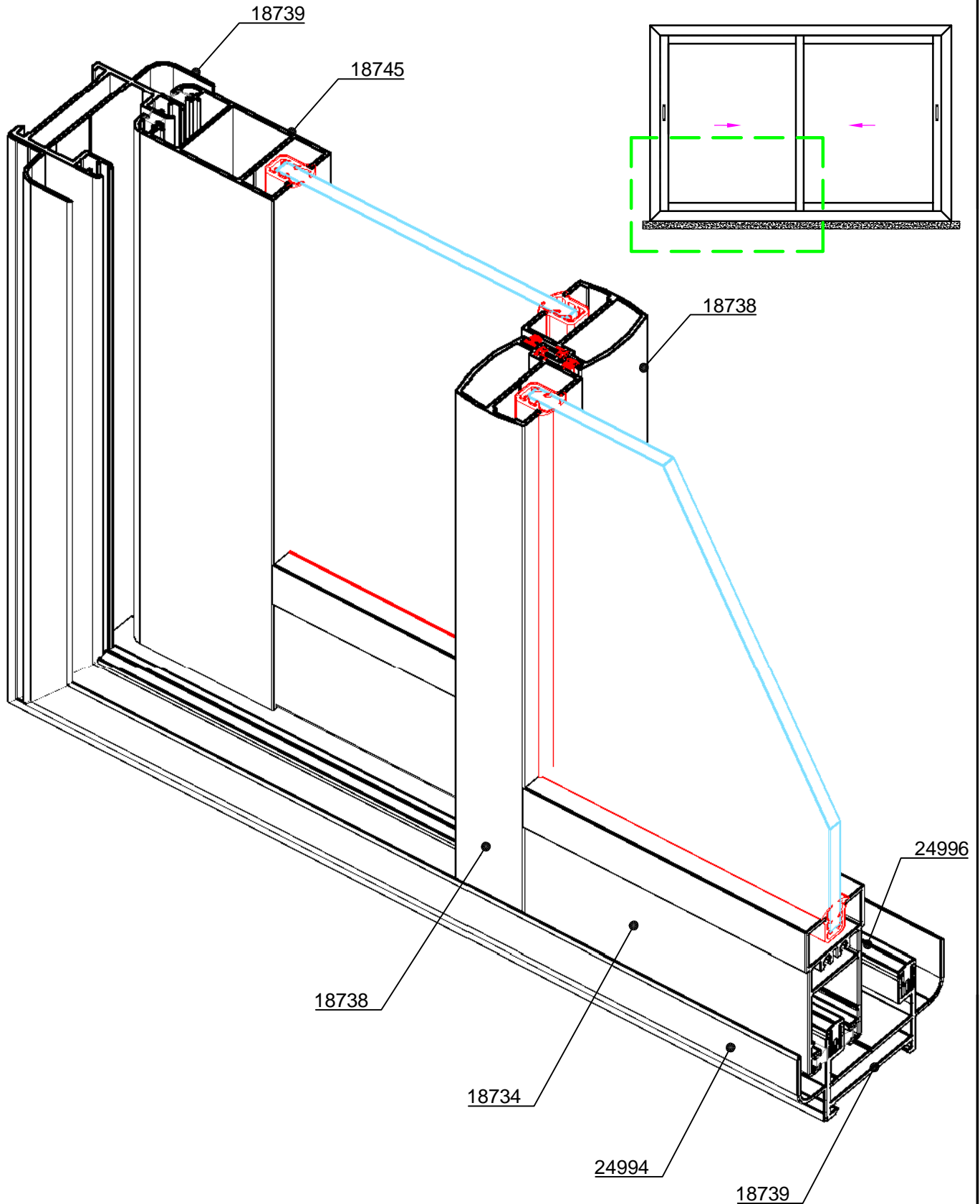
DETAIL : B-B



DETAIL : A-A



3d two Track



3d Three Track

