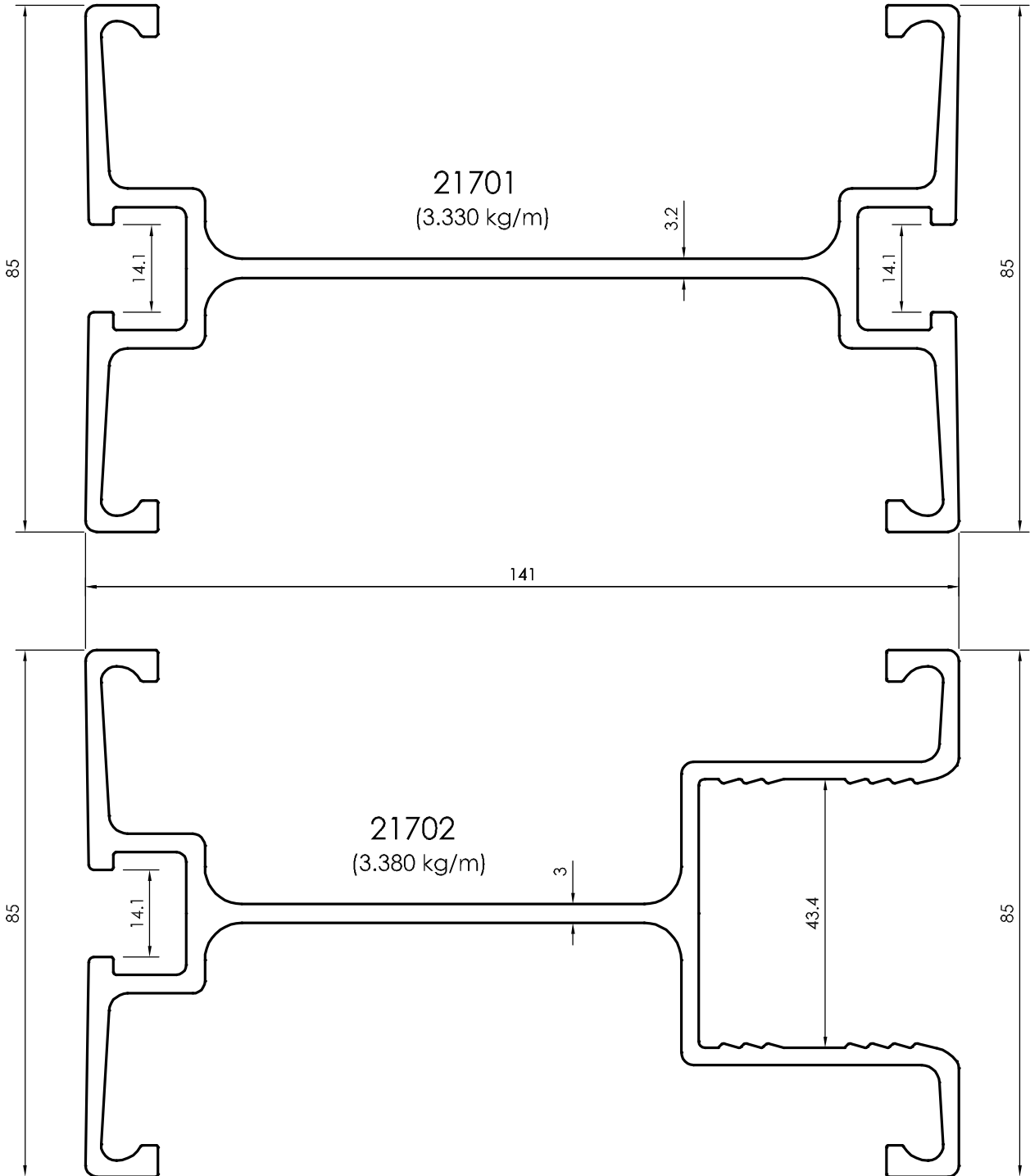
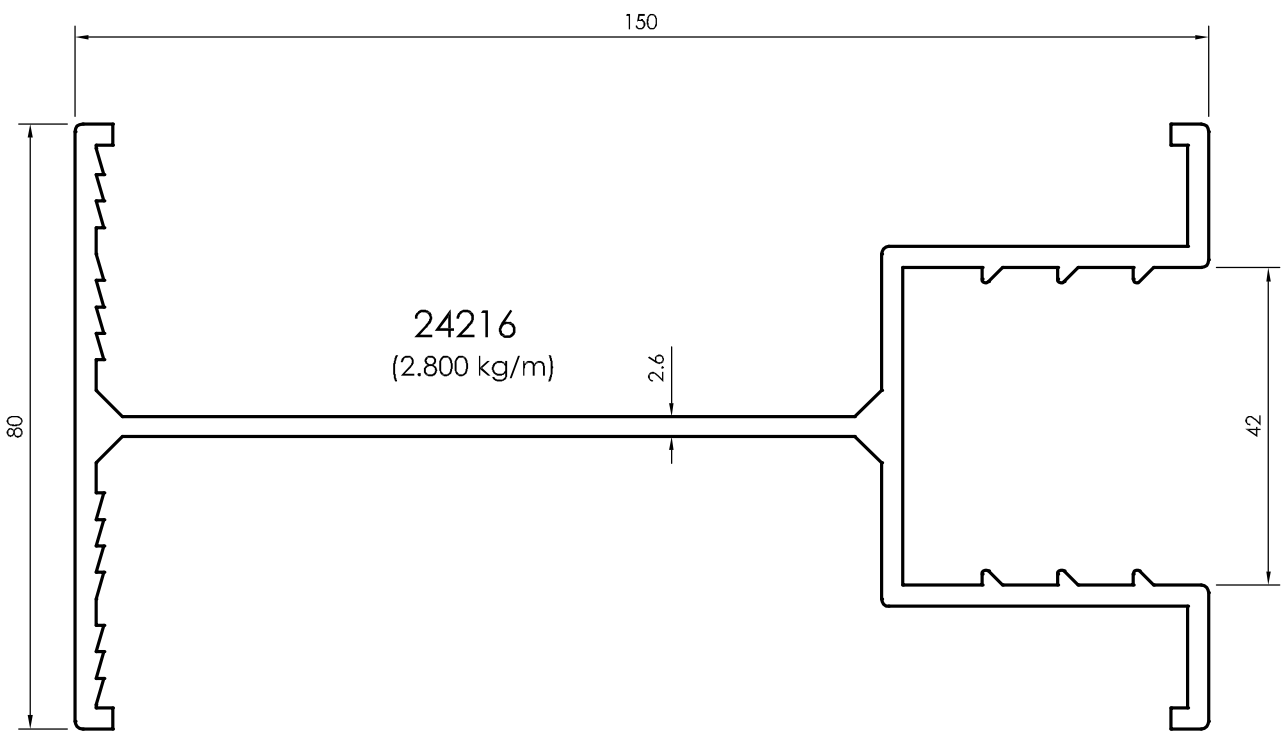
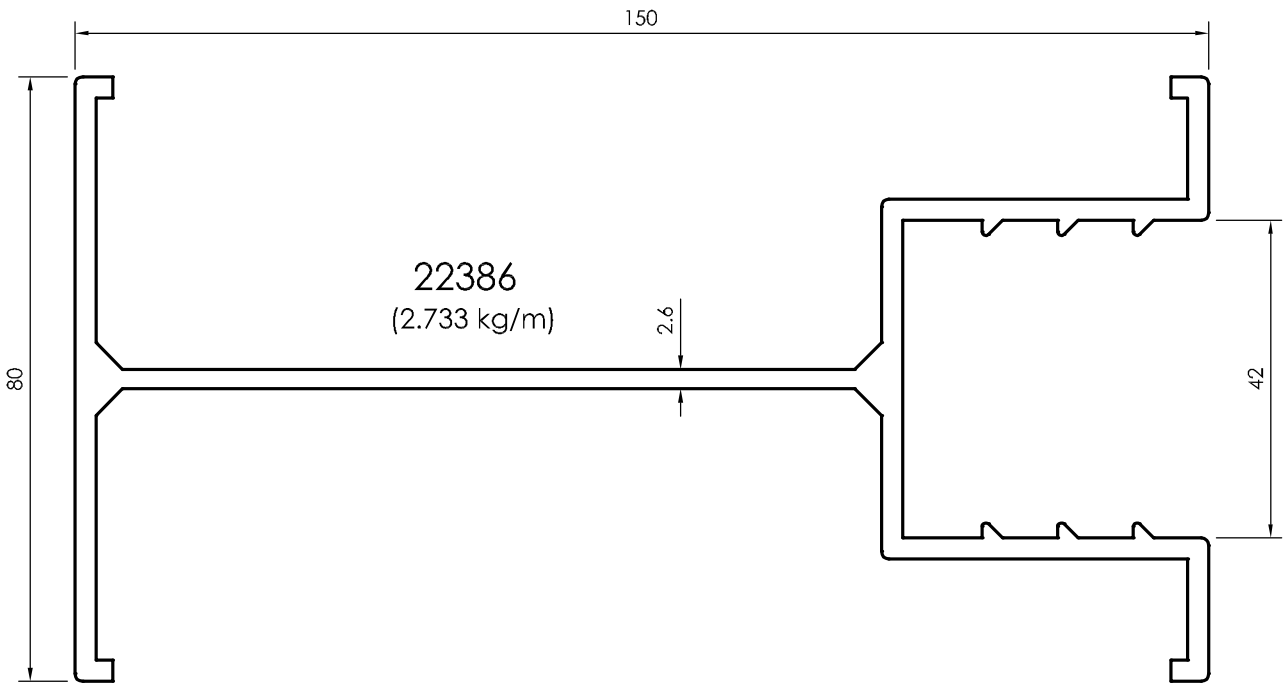


Scaffolding



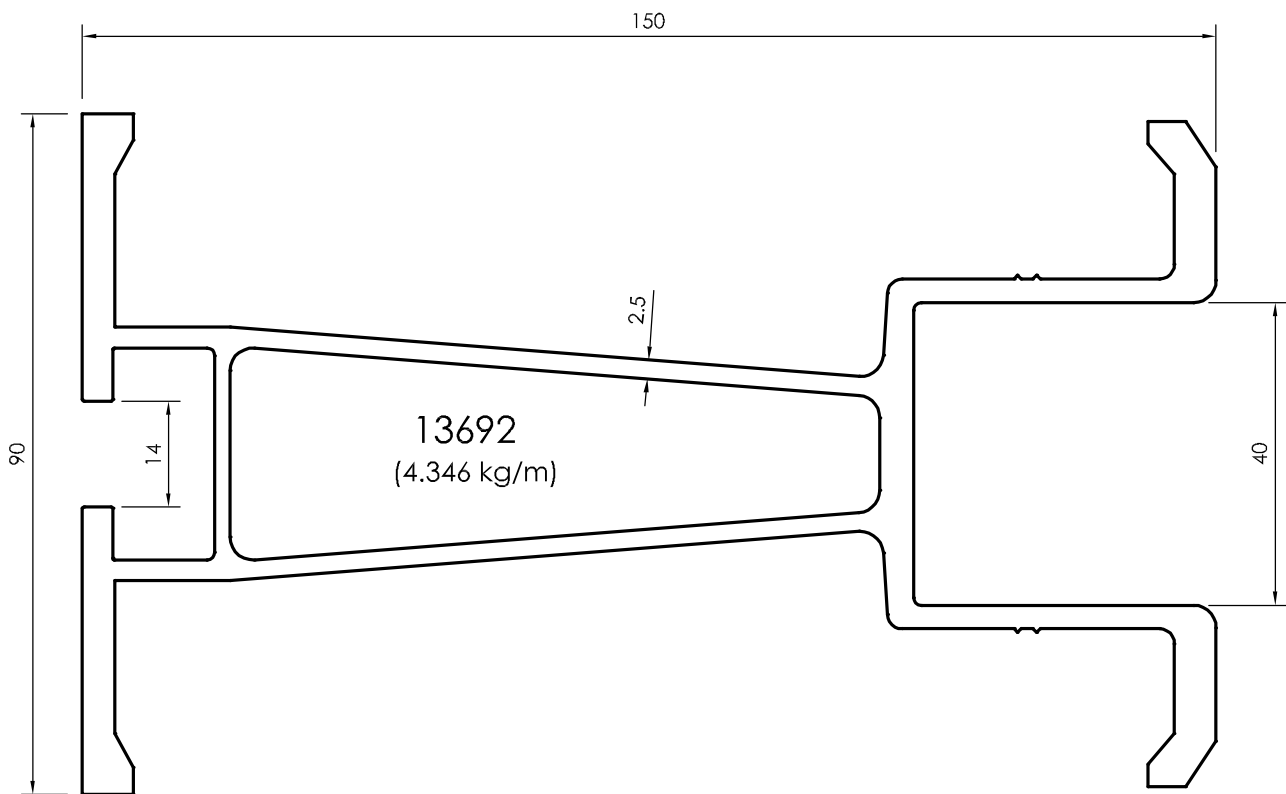
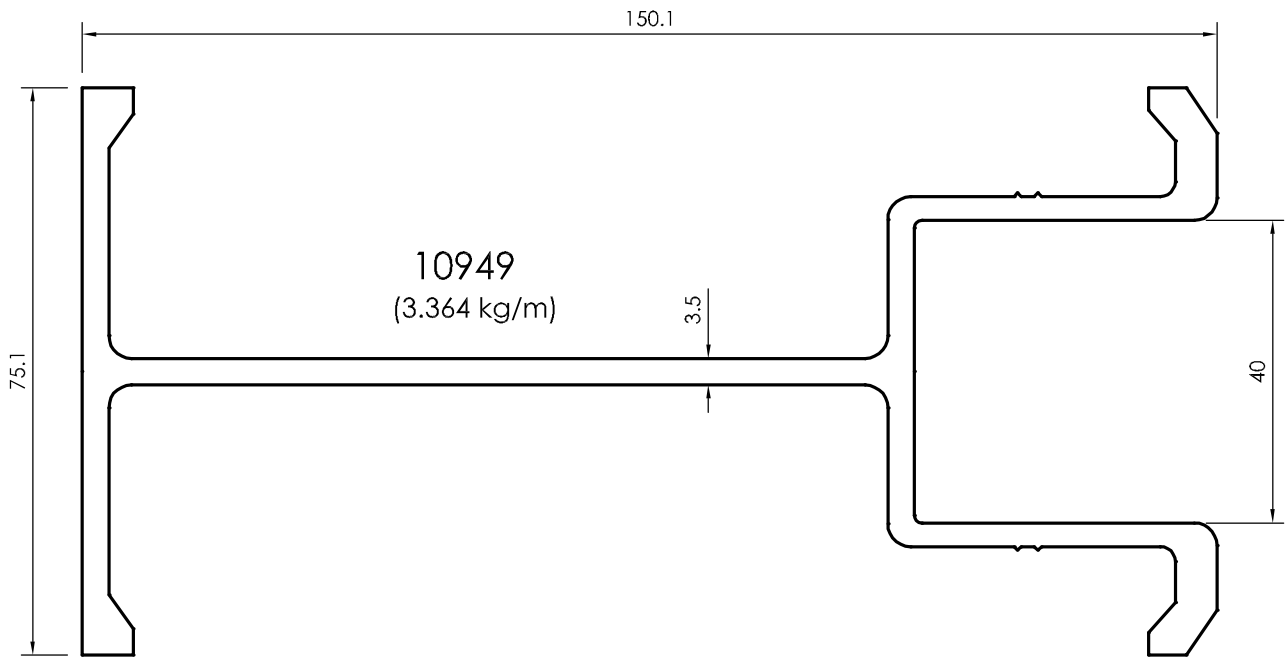
All dimensions in mm  
Visible area\_-----

Scaffolding



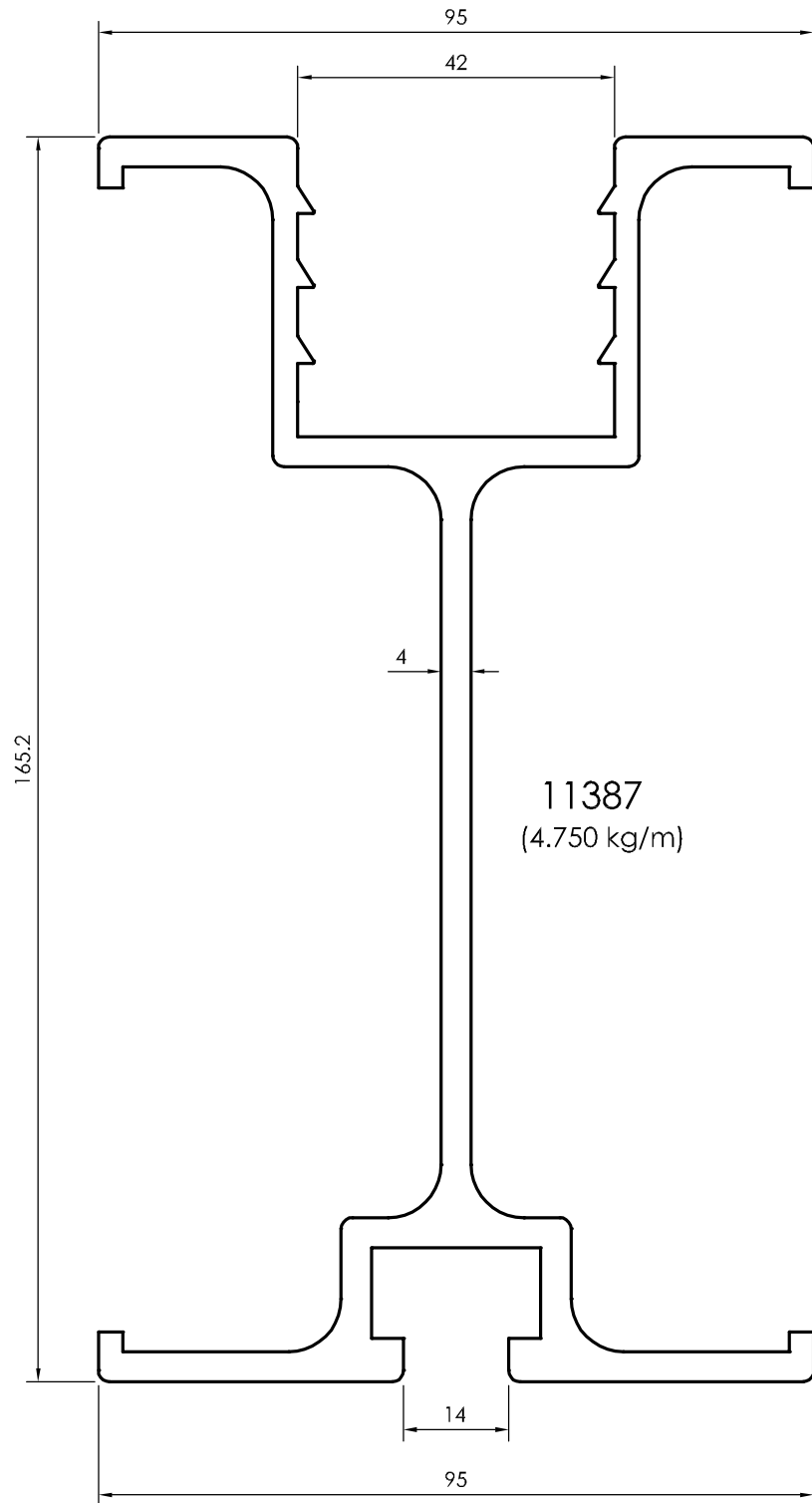
All dimensions in mm  
 ----- Visible area

Scaffolding

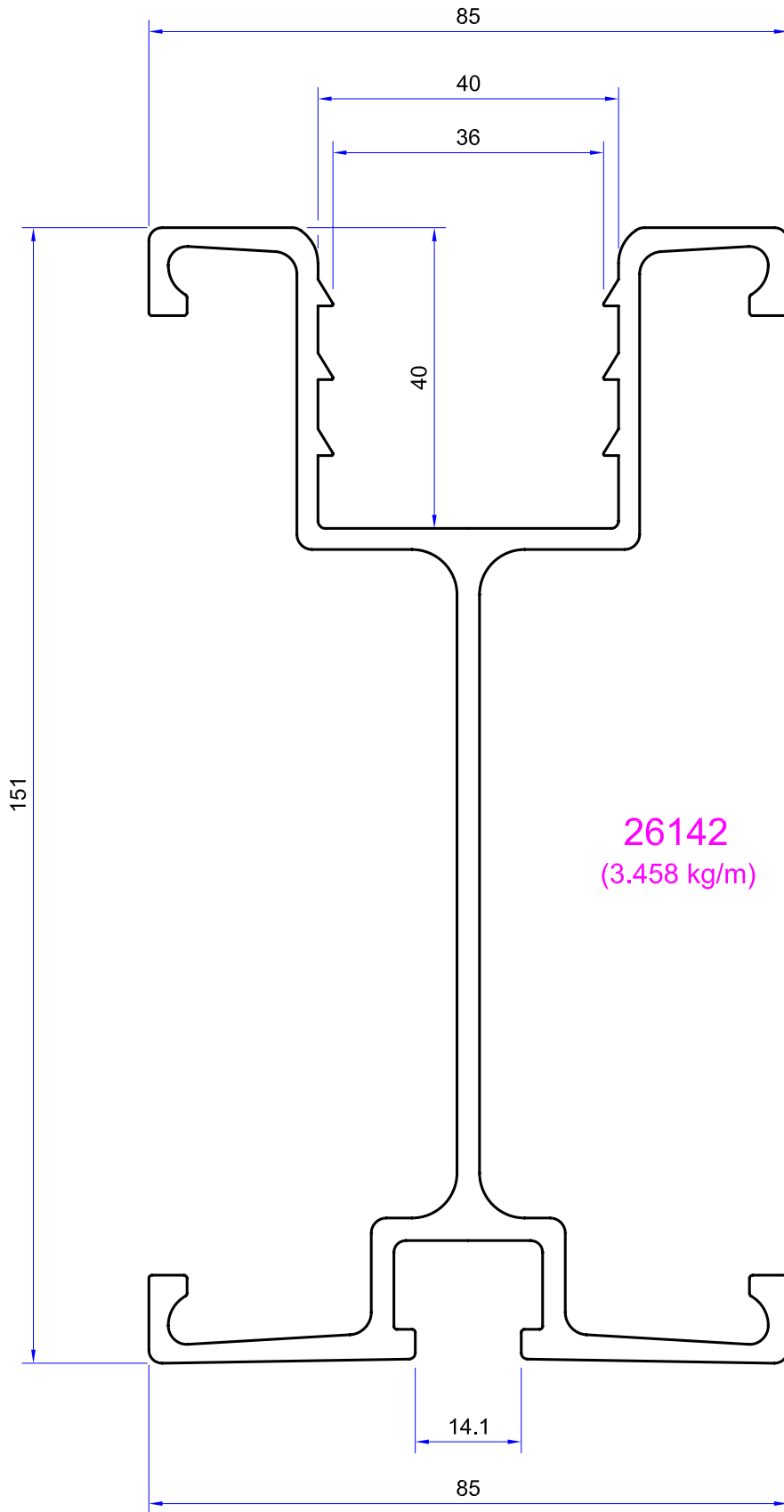


All dimensions in mm  
Visible area\_\_\_\_\_

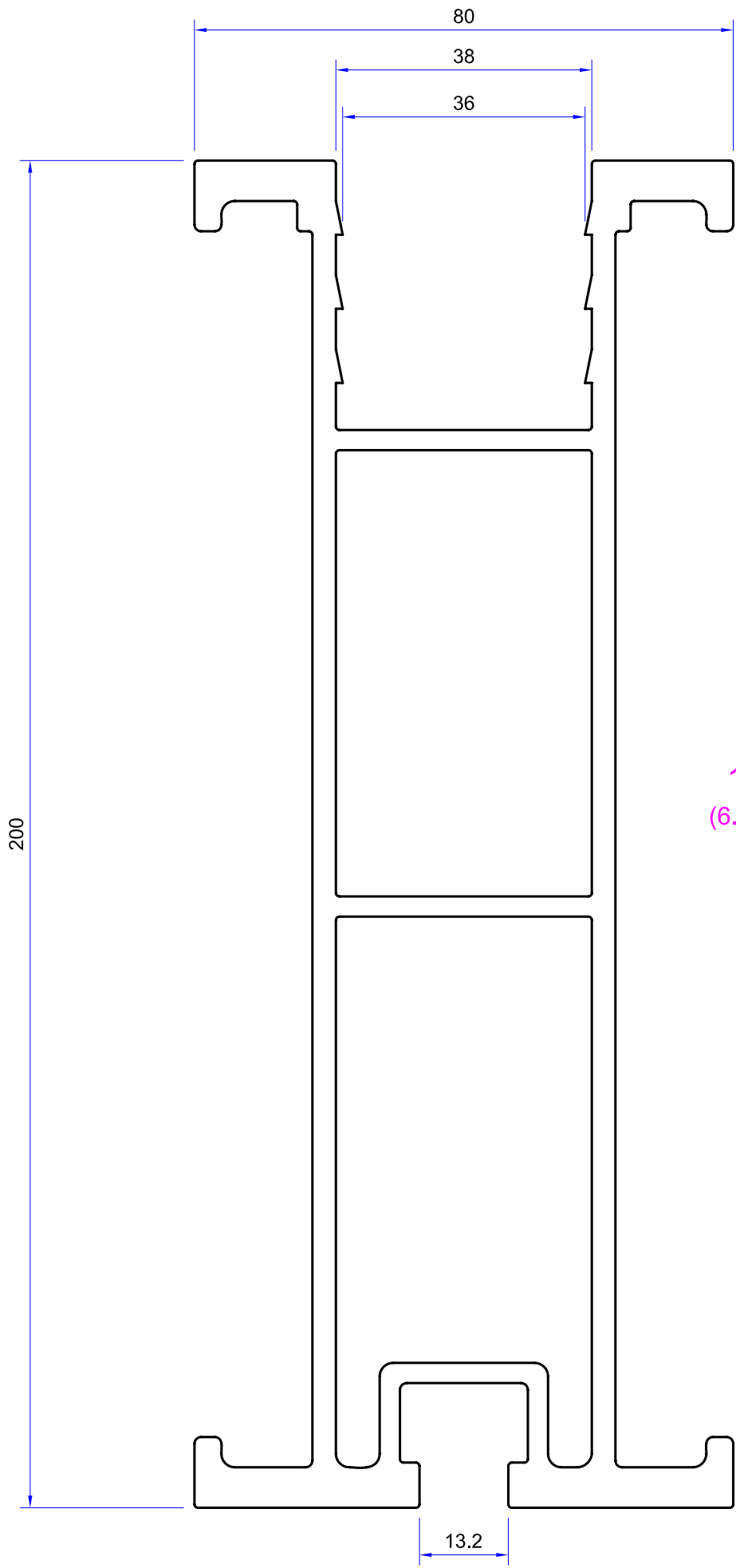
## Scaffolding



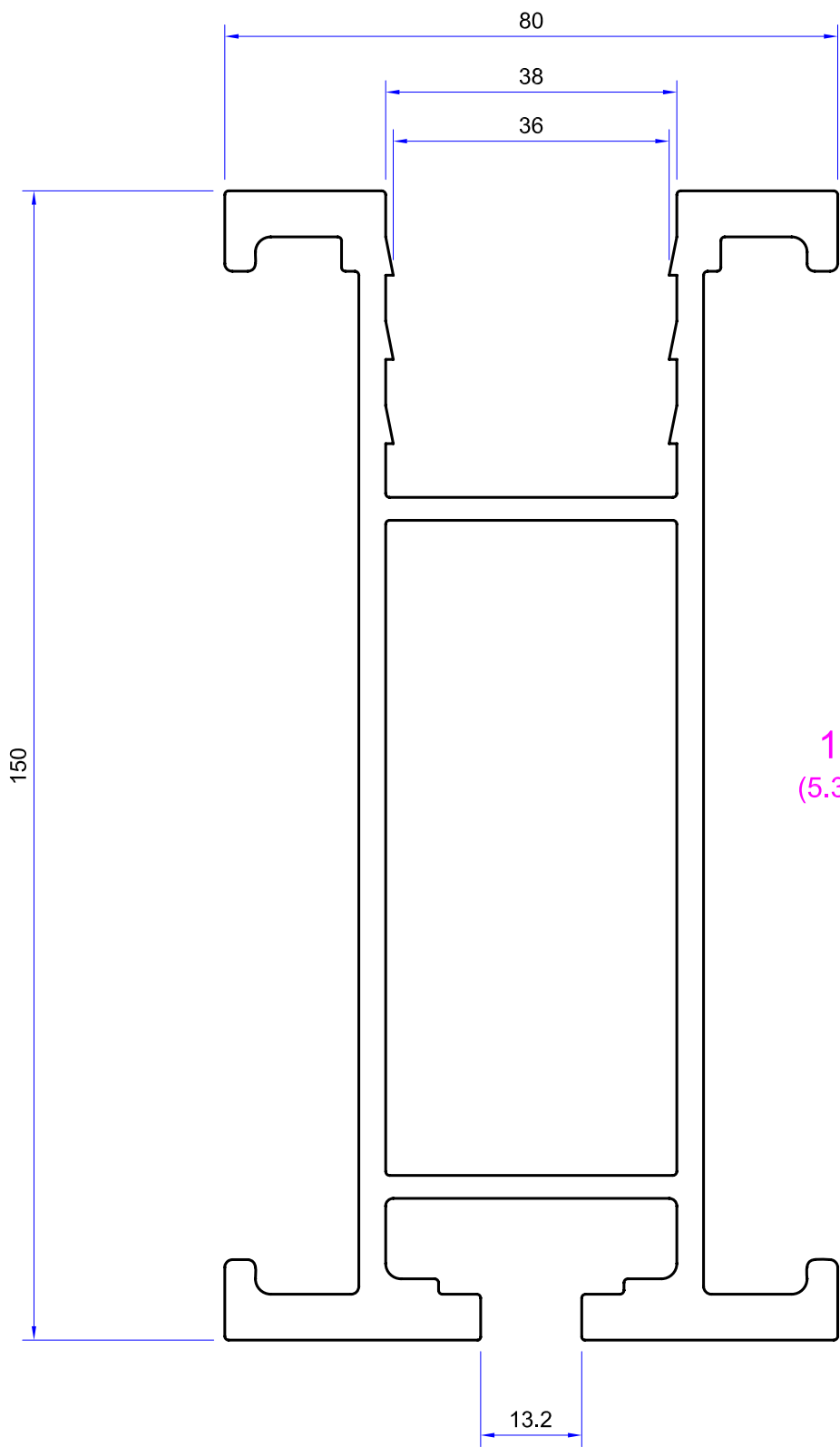
All dimensions in mm  
-----Visible area



26142  
(3.458 kg/m)



19984  
(6.649 kg/m)



19985  
(5.362 kg/m)

